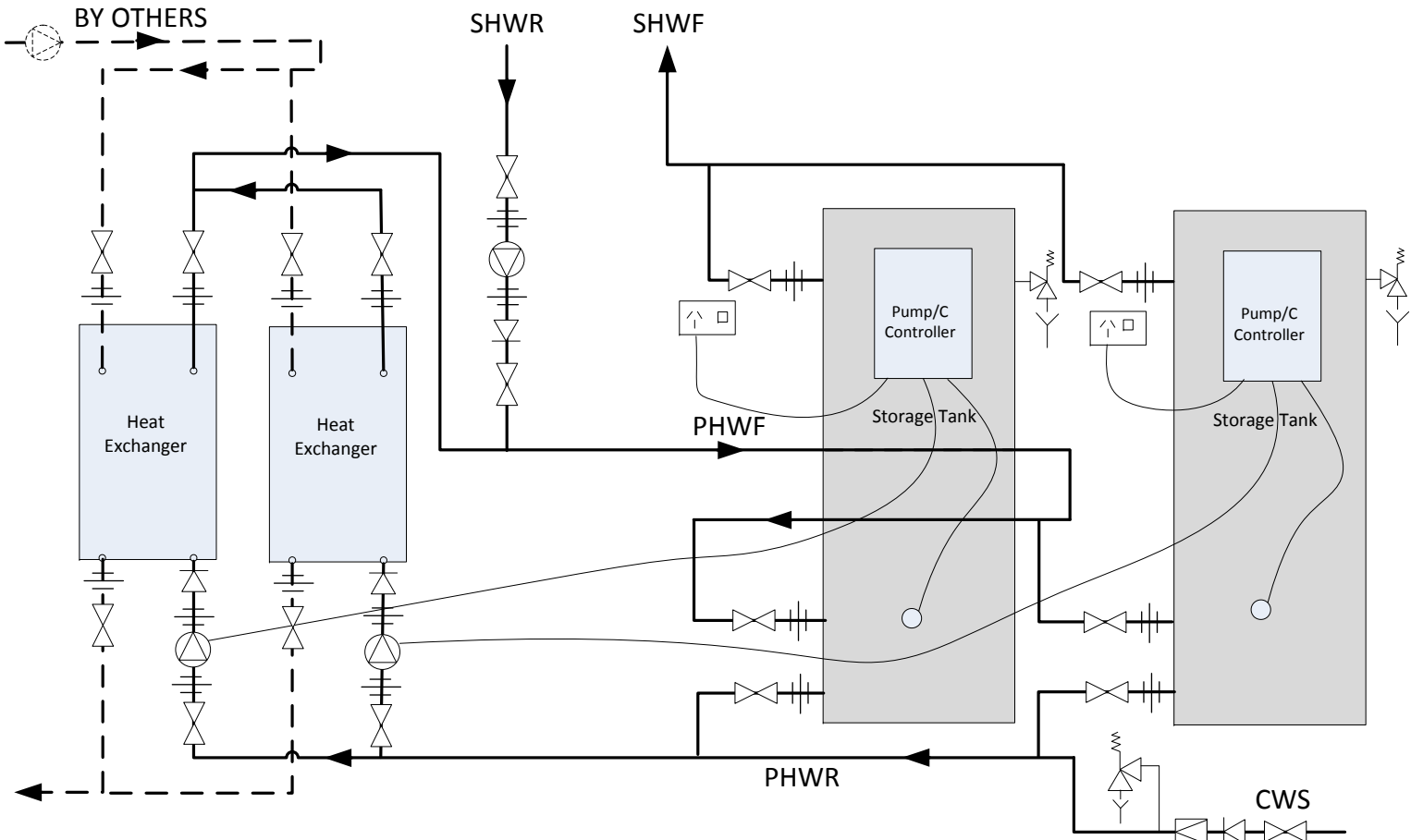


NON-POTABLE  
CIRCUIT WORKS



**LEGEND**

- CWS: cold water supply
- PHWR: primary hot water return
- PHWF: primary hot water flow
- SHWS: secondary hot water supply
- SHWR: secondary hot water return
- ECV
- TPR valve
- Tundish
- Isolation valve
- Non return valve
- Pressure limiting valve
- Union
- Circulator or pump