

**SERVICE CONNECTIONS PROVIDED:**

- (1) HOT WATER OUTLET  
50MM BSP FEMALE BRASS BALL VALVE
- (2) NATURAL GAS/LPG INLET  
50MM BSPT MALE
- (3) COLD WATER INLET  
50MM BSP FEMALE BRASS BALL VALVE/STRAINER COMBINATION
- (4) HOT WATER RETURN  
25MM BSP FEMALE BRASS BALL VALVE/STRAINER COMBINATION
- (5) PRESSURE RELIEF VALVE OUTLET  
20MM BSP FEMALE TO DRAINAGE

**POWER SUPPLY REQUIREMENTS :** 240V/1PH/50HZ – 20A C OR D CURVE UP FRONT PROTECTION PROVIDED  
: IP55 CONTROL BOX PRE-WIRED TO WATER HEATERS & PUMPS

**NOTES:**

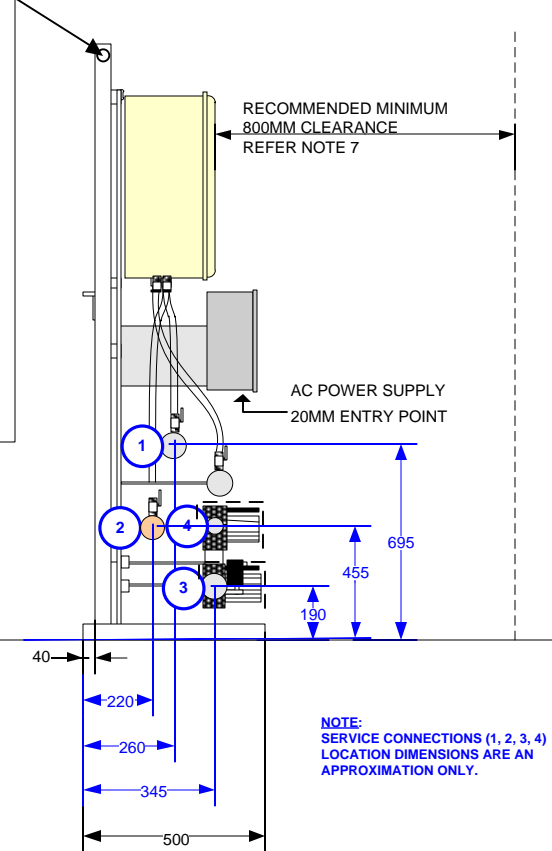
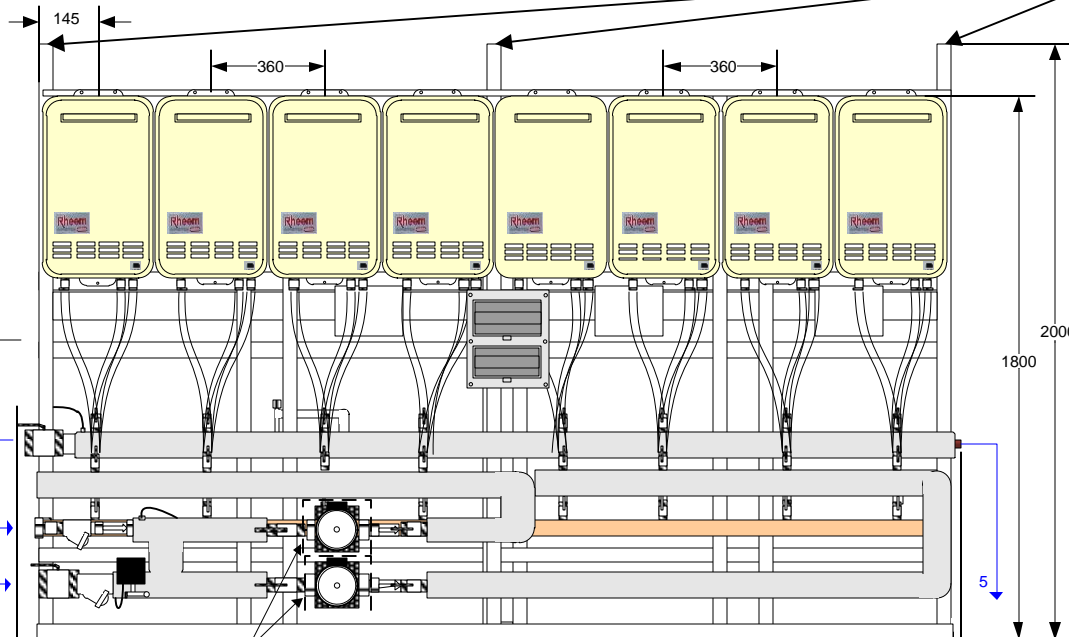
- 1. THIS UNIT IS SUITABLE FOR A FLOW & RETURN OR DEAD LEG SYSTEM.
- 2. EACH WATER HEATER IS PROVIDED WITH A 240VAC GENERAL PURPOSE POWER OUTLET EACH PUMP IS PROVIDED WITH A 240VAC DEDICATED PURPOSE POWER OUTLET ALL POWER OUTLETS ARE PREWIRED TO THE HOT WATER SYSTEM IP55 CONTROL BOX SUPPLY & INSTALLATION OF 240VAC POWER TO THE CONTROL BOX IS BY OTHERS & SHALL BE IN ACCORDANCE WITH AS/NZS 3000
- 3. GAS SUPPLY & ALL PLUMBING THEREOF IS BY OTHERS & SHALL BE IN ACCORDANCE WITH AS5601
- 4. WATER SUPPLY TO & FROM & ALL PLUMBING THEREOF IS BY OTHERS & SHALL BE IN ACCORDANCE WITH AS3500
- 5. ALL DIMENSIONS ARE IN MM UNLESS OTHERWISE STATED.
- 6. SUITABLE FOR OUTDOOR INSTALLATION ONLY.
- 7. SPACING : RECOMMENDED MINIMUM 800MM CLEARANCE FROM HORIZONTAL FLUE OUTLET. REFER AS5601-2004 FIG 5.3 FOR MANDATORY REQUIREMENTS.
- 8. REFER TO INSTALLATION AND OPERATING INSTRUCTION MANUAL FOR ADDITIONAL DETAILS.
- 9. DRAWING SUBJECT TO CHANGE WITHOUT NOTICE.

**LIFTING INSTRUCTIONS:**

- 1. PACKAGE LIFTING:  
CP7 – CP8 THREE (3) POINTS  
CP9 – CP12 FOUR (4) POINTS
- 2. REMOVABLE CIRCULAR HOLLOW STEEL TUBE INSERTED ACROSS THE TOP. LOCKED IN PLACE WITH LOCKING INSERTS. EDGES FITTED WITH CROSS BOLT TO PREVENT LIFTING CHAIN FROM SLIPPING OFF.
- 2. LIFT TO BE CONDUCTED ONLY WHEN WIND SPEED IS LESS THAN 23 KM/HR. WIND SPEED SHOWN IS A GUIDE ONLY. CRANE CREW TO USE THEIR DISCRETION
- 3. MAXIMUM HOISTING VELOCITY 1.0M/S
- 4. CARE SHALL BE TAKEN WHILE LIFTING TO ENSURE LIFTING CHAINS ARE EVENLY LOADED BY GENTLY TAKING THE LOAD TO JUST OFF THE GROUND, EXAMINING AND RETURNING TO GROUND PRIOR TO LIFT.

**FRONT VIEW**

**SIDE VIEW**



MODEL	CPE07	CPE08	CPE09	CPE10	CPE11	CPE12
BASE LENGTH	2520	2880	3240	3600	3960	4320
PACKAGE LENGTH	2670	3030	3390	3750	4110	4470

**NOTE:** SERVICE CONNECTIONS (1, 2, 3, 4) LOCATION DIMENSIONS ARE AN APPROXIMATION ONLY.

No	DATE	REVISION	BY	CHECKED
0	07/10	ORIGINAL ISSUE	SL	RH
1	08/10	DIMENSIONAL UPDATES	SL	RH
2	18/11	DESIGN UPGRADES	SL	RH

Rheem Australia Pty Ltd  
1 Alan Street  
Rydalmere NSW 2116  
Email : [commercialsales@rheem.com.au](mailto:commercialsales@rheem.com.au)  
[www.rheem.com.au](http://www.rheem.com.au)

Description:					
Rheem Compak Plus – CPE07 – CPE12 Commercial Mains Pressure External Hot Water System Single Row General Arrangement					
Designed RH	Drawn SL	Date 25/01/11	Scale N.T.S	Drawing No: CMPAKS-8E	Revision 2