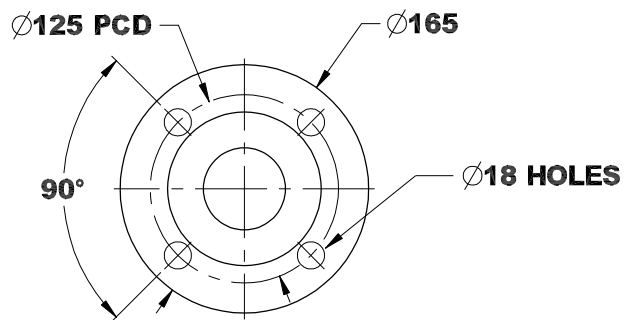
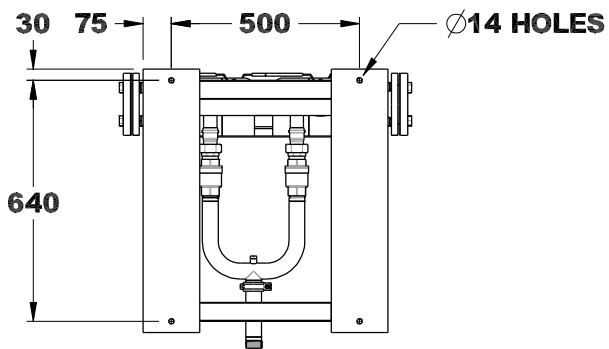
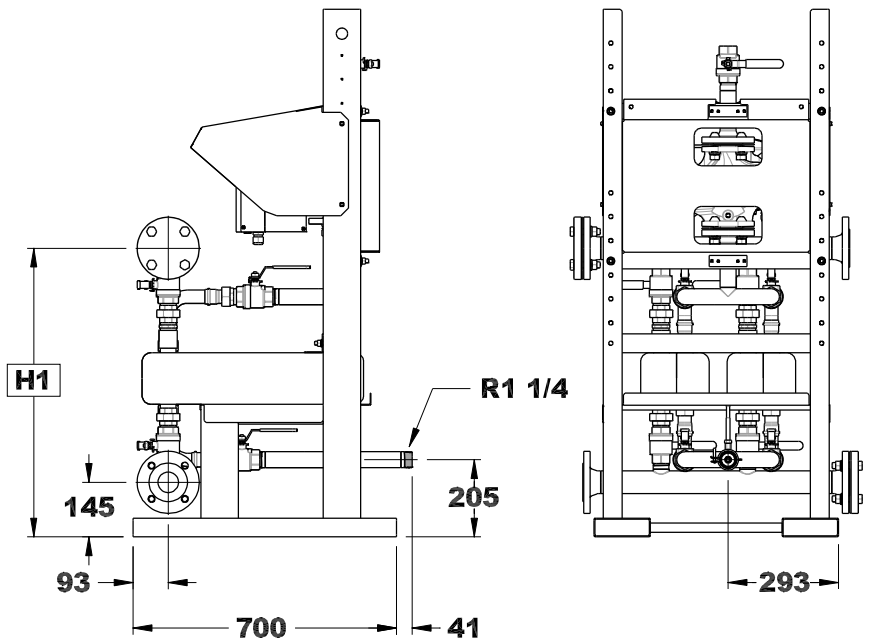
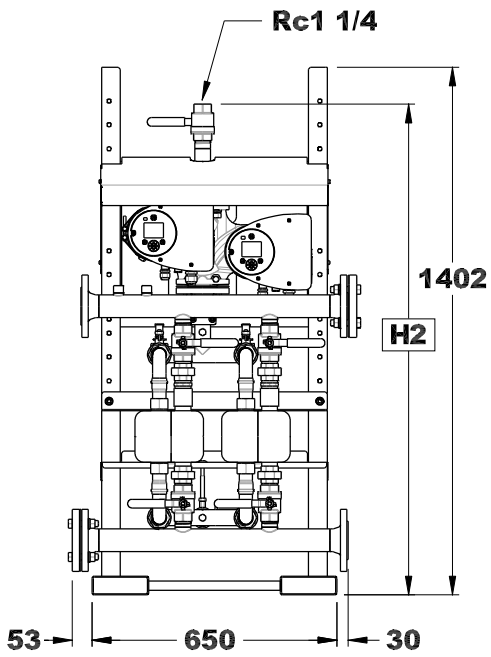


MODEL TYPE	DIMENSION 'H1'	DIMENSION 'H2'
200 kW	767	1304
400 kW	820	1357
600 kW	883	1420
800 kW	946	1483



**FLANGE DETAIL**  
(EN 1092-1/11/B1/DN50/PN40)

## DELIVERY SKID DIMENSIONS

ALL DIMENSIONS SHOWN (EXCLUDING FLANGE DETAIL) ARE ±10mm.