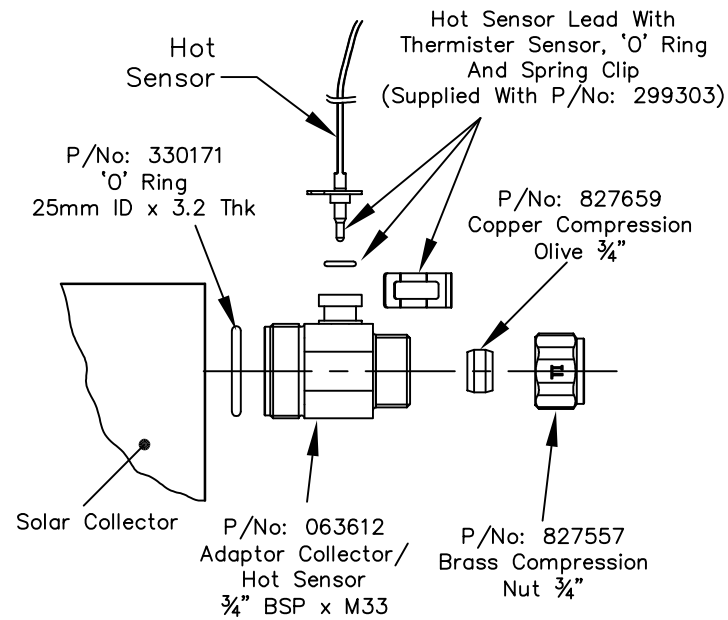
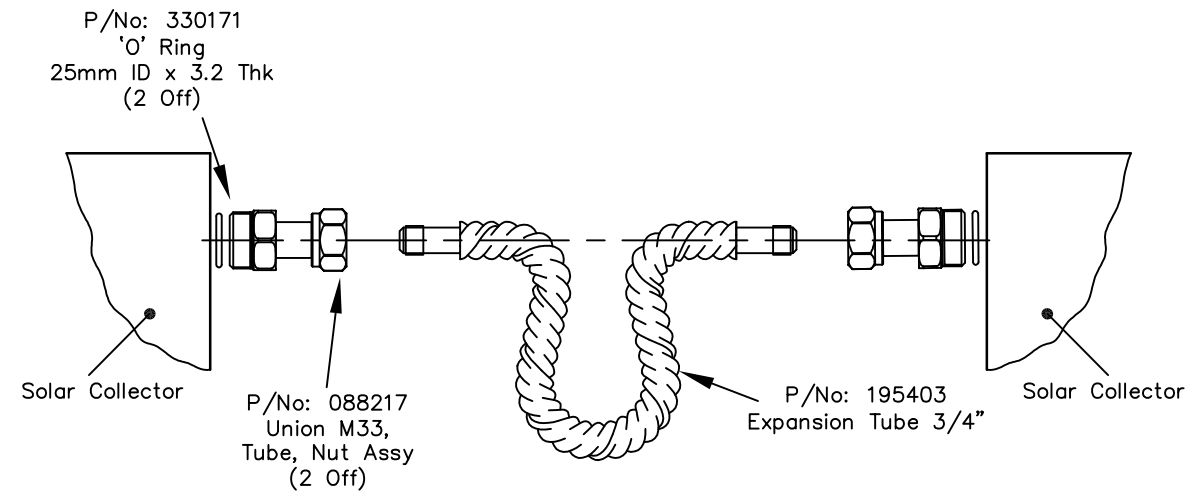


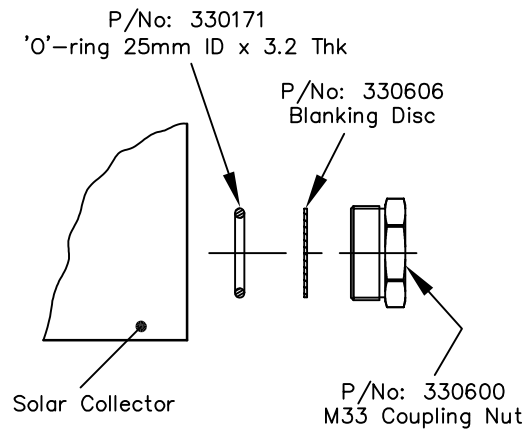
DETAIL A
Collector Union Assembly



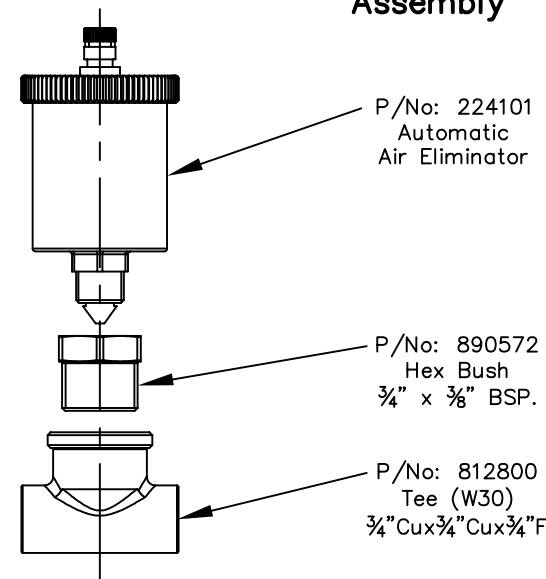
DETAIL D
Hot Sensor Connector Assembly



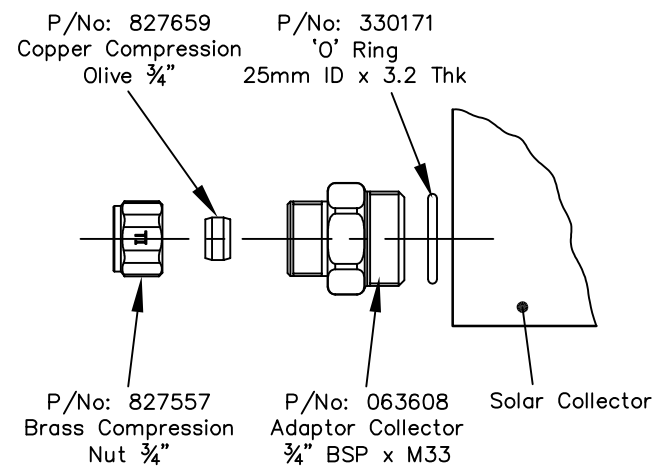
DETAIL F
Expansion Tube Assembly



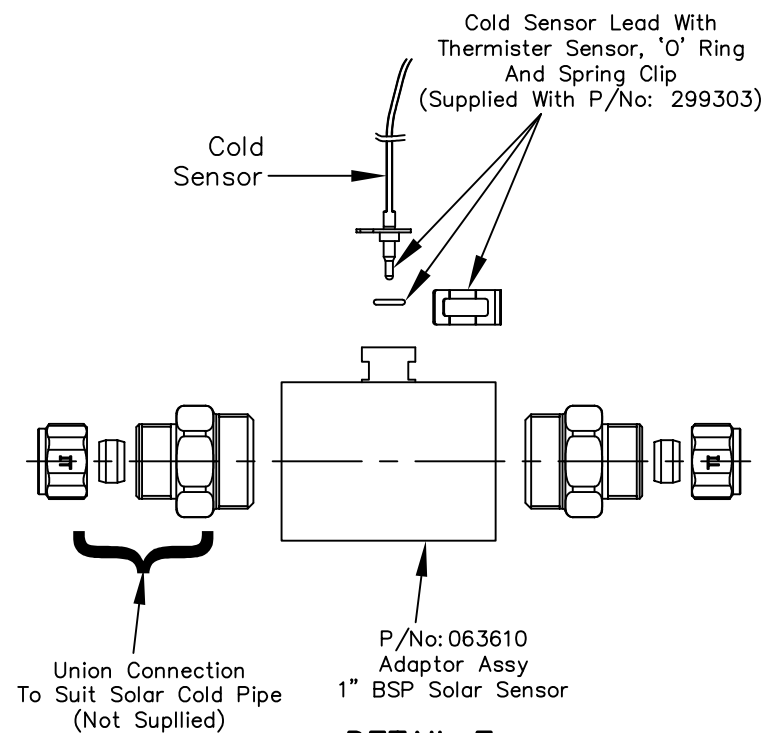
DETAIL B
End Plug Assembly



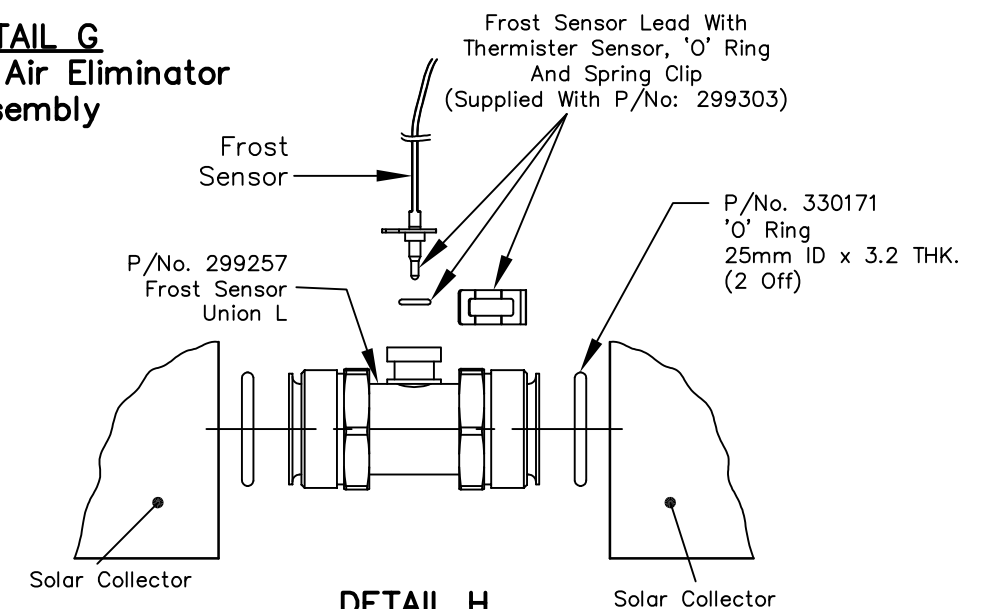
DETAIL G
Automatic Air Eliminator Assembly



DETAIL C
Collector Inlet/Outlet Connector Assembly



DETAIL E
Cold Sensor Connector Assembly



DETAIL H
Frost Sensor Assembly

DETAIL SHEET

LOLINE COMMERCIAL SOLAR INSTALLATION USING NPT200 COLLECTORS