



Your complete

RENEWABLE HOT WATER SOLUTIONS

ROOF & GROUND MOUNT SOLAR HOT WATER SYSTEMS & HEAT Pumps



A Greater Degree of Good™ represents our global commitment to sustainability.



RHEEM FOR RELIABILITY

Rheem has been manufacturing in Australia since 1939. Over time Rheem has grown to become a household name and a part of the fabric of Australian homes. Today we are the largest water heating appliance manufacturer in Australia, offering an expansive range of roof mounted and ground mounted solar hot water systems and heat pump water heaters.



- **Choice of systems** – Rheem’s large range of solar Hiline® (roof mounted) and solar Loline (ground mounted) systems along with our range of heat pumps offer sustainable and economical hot water solutions for your home
- **Stainless Steel & Vitreous Enamel tanks** – A range of Stainless Steel tanks exclusive to Rheem Solar Specialists is available along with Vitreous Enamel lined tanks to offer you more choice
- **Range for all weathers** – Rheem has developed a range of systems to suit all climatic conditions in Australia from frost prone areas of the south to the hot areas of the tropical north, as well as areas with harsh water conditions
- **Booster options** – Rheem solar systems are available with electric or gas boosting, providing hot water during cloudy weather or during other periods of low solar gain

THE POWER OF A SPECIALIST NETWORK

The Rheem Solar Specialist network offers an extensive product range to suit the needs and aesthetics of your home. The network draws on Rheem’s vast experience and expertise in solar water heating to offer you the best solution. With a large network around the country and products from Australia’s number one hot water brand, our specialist network can assist you with:

- Understanding your requirements and provide advice on the best solution for your home
- Installing your solar system
- Assist you in claiming and processing any applicable government incentive available

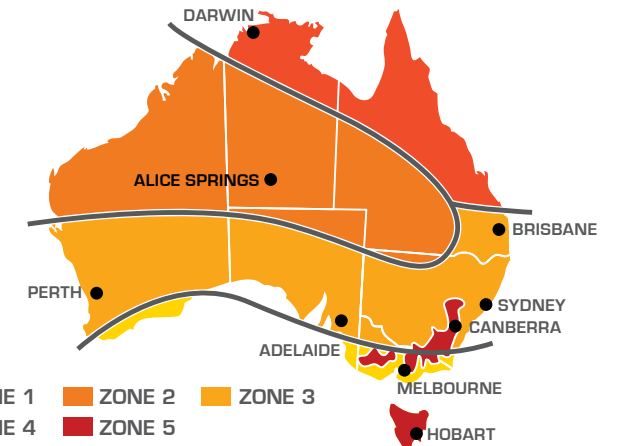


REDUCE ENERGY CONSUMPTION: HELP THE ENVIRONMENT



A Rheem solar or heat pump hot water system are both excellent environmental and energy saving investments. Solar hot water systems work by absorbing energy from the sun’s rays, while heat pumps convert heat from the atmosphere and transfer it into the water stored in the tank.

These systems help reduce energy use from fossil fuels and consequently lower greenhouse gas emissions and pollution. Not only are you helping the environment by installing a Rheem solar or heat pump hot water system, you could also enjoy substantial savings on your household hot water energy use with a range of systems capable of saving between of up to 60% to 70%¹ in Zone 3.



SAVE MORE WITH GOVERNMENT INCENTIVES

Rheem solar and heat pump hot water systems are eligible for Small-scale Technology Certificates (STCs). STCs result in a financial benefit, under a Federal Government legislated scheme to encourage the installation of renewable energy systems. The quantity of STCs you are entitled to differs depending on your system’s capacity, efficiency, performance and installation location. STCs provide you with a financial benefit resulting in a reduction on the cost of your installed system.

ELIGIBILITY CRITERIA

- STCs can only be created for solar and heat pump water heaters listed on the Clean Energy Regulator’s Registers of Solar Water Heaters and Heat Pump Water Heaters
- The right to create STCs can only be assigned by the owner of the system and created by a Registered Agent. Note: The right to create STCs can be assigned directly to Rheem
- The country is divided into climate zones for STC creation – 4 for solar and 5 for heat pumps
- For more information on STCs visit www.rheem.com.au/rheem/help/offers-and-incentives/stcs

1. Energy reduction is based on Australian Government Approved TRNSYS simulation modelling of the Rheem 270 litre to 325 litre capacity two collector electric boost systems and using a medium load in Zone 3 and apply when replacing an electric water heater.



A RANGE OF RENEWABLE HOT WATER SOLUTIONS



Model: 52H300

RHEEM HILINE® & PREMIER HILINE® ROOF MOUNTED SOLAR HOT WATER SYSTEMS

Rheem Hiline® and Premier Hiline® roof mounted systems are a choice of tank and solar collectors installed on the roof, freeing up space on the ground. Our large range of roof top systems, offers a choice of Stainless Steel or Vitreous Enamel lined tanks suitable for all your home requirements from the tropics to cold climates.

In a Hiline open circuit or direct system¹, the water from the tank flows into the solar collectors where it is heated and flows back into the tank. Rheem Premier Hiline® system use a closed circuit or indirect system². The solar heating fluid flows from the heat exchanger into the solar collectors and back again where the heat is then transferred into the water in the tank.

RHEEM LOLINE® & PREMIER LOLINE® GROUND MOUNTED SOLAR HOT WATER SYSTEMS

Rheem Loline® and Premier Loline® ground mounted systems have solar collectors on the roof and tanks installed on the ground or at floor level. Choice of a Stainless Steel or Vitreous Enamel lined tanks suitable for all your home requirements from tropical to cold climates.

The water from the tank in a Loline open circuit or direct system¹ is circulated up into the solar collector, where it is heated before returning to be stored in the tank. The Rheem Premier Loline range of closed circuit or indirect systems² use a solar heating fluid which is pumped up to the solar collectors before returning to transfer heat gained from the solar collectors to the water in the tank using its advanced technology in the heat exchanger. The Premier Loline range provides full freeze protection and is also suitable for harsh water areas.



Model: 5A2325

RHEEM HEAT PUMPS HEAT ABSORPTION HOT WATER SYSTEMS

Rheem Heat Pump water heaters are an energy efficient, affordable way to heat water. Heat Pumps use the heat from the surrounding air to heat your water. Heat Pumps help reduce your water heating energy consumption by up to 61% to 68.5%³ in Zone 3, compared to an electric water heater. They can work all year round, day or night, in sunshine or rain and even on cooler days, as there is always heat in the atmosphere which can be used.



Model: 551270

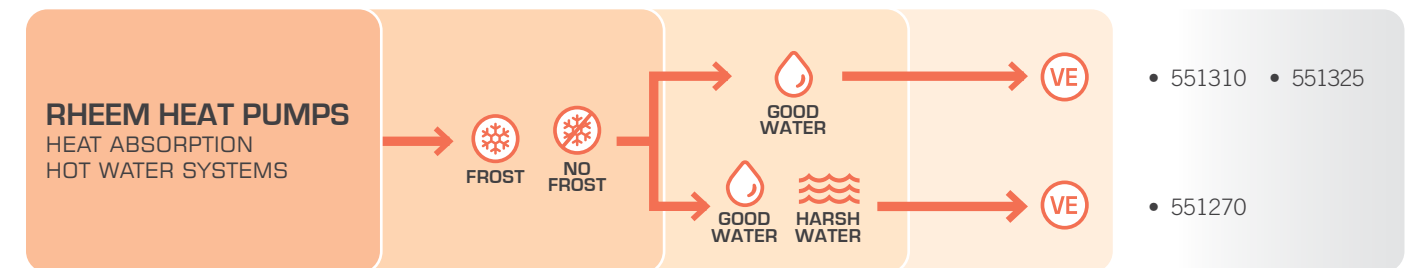
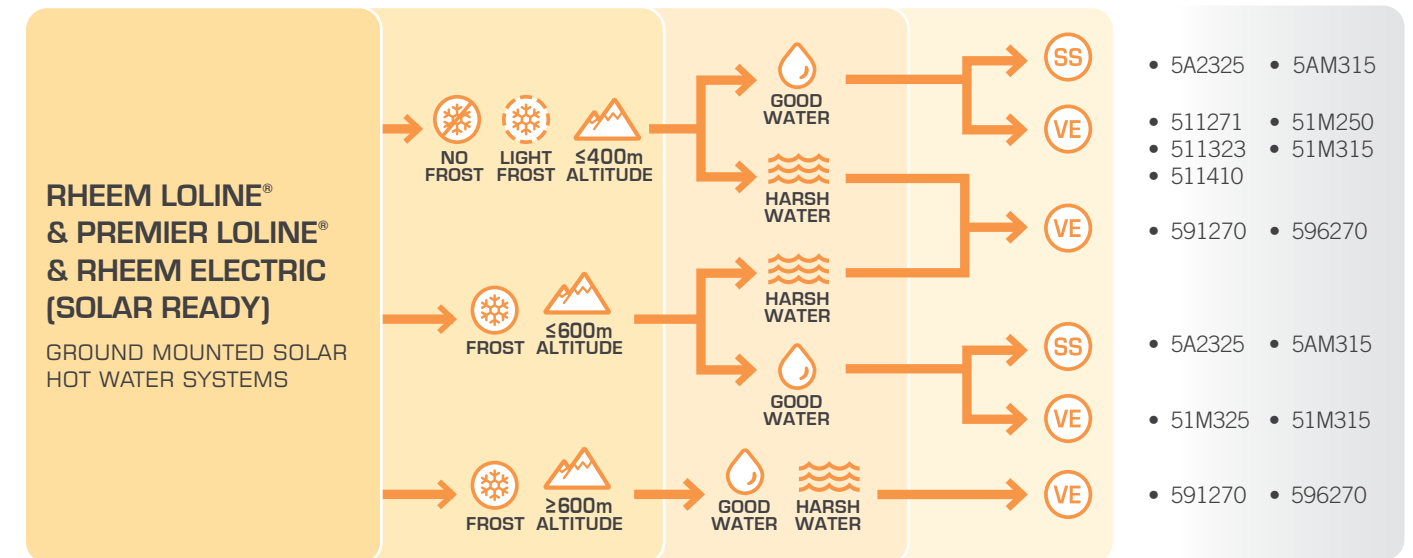
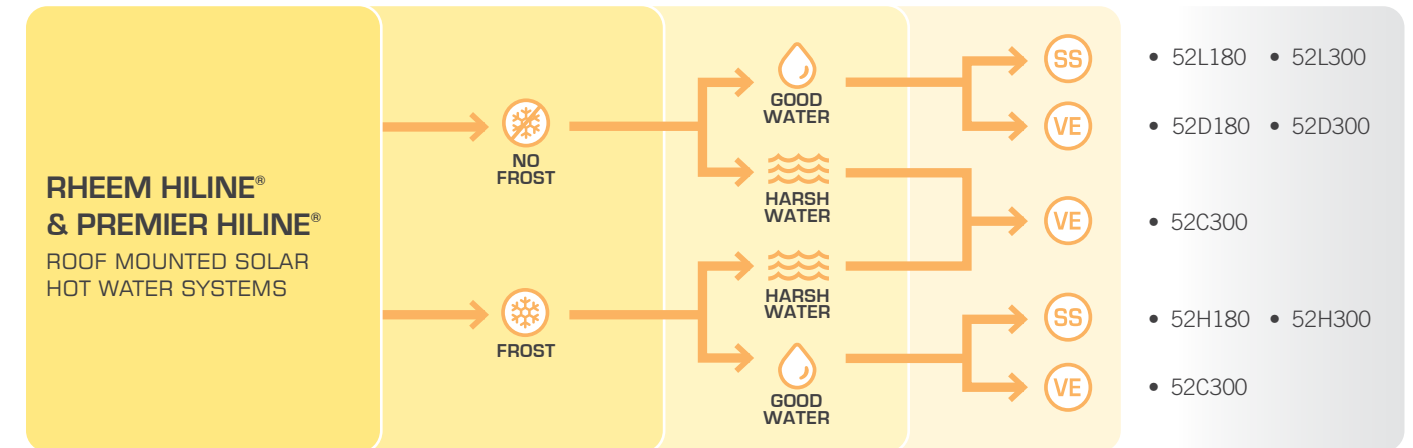
1. An open or direct system has potable water flowing through the solar collectors.
 2. A closed circuit or indirect system has a non-potable solar heating fluid with anti-freeze properties flowing through the solar collectors.
 3. Energy reduction is based on Australian Government Approved TRNSYS simulation modelling of the 551270, 551310 and 551325 system and using a medium load in Zone 3 and apply when replacing an electric water heater with a Rheem Heat Pump.

WHICH PRODUCT IS RIGHT FOR ME?

Which system you choose will depend on where you live in Australia, which way your roof faces and even the pitch of your roof. For days where energy from the sun is insufficient, Rheem gives you the option to have either an in-tank electric element booster or a gas continuous flow boosting unit or a Heat Pump. Systems are available to suit tropical or cold climates, with either a Stainless Steel tank or Vitreous Enamel tank and a selection of

collectors. Closed circuit systems are also available for freezing or harsh water conditions, heating the water indirectly using a heat exchanger. Use the table shown or talk to your local Rheem Solar Specialist about which Rheem hot water system is ideal for you.

Stainless Steel tanks are lighter in weight. Stainless Steel is an inherently corrosion resistant material in good water conditions.



NOTE



Not all systems are suitable for all geographical areas due to frost and freeze conditions. Only models with the suitable level of freeze protection should be installed in frost areas.



Not all systems are suitable for all geographical areas due to water chemistry and its effects on the water heater. Refer to product data sheets or Product Installation Instructions for the water chemistry limits of each type of water heater.

TANK TYPE



Vitreous Enamel



Stainless Steel

Note: Stainless Steel is not suitable for harsh water conditions. Please see suitability maps. Link: www.solar.rheem.com.au/images/Residential_Stainless_Steel_suitability_map_of_Australia_Nov_2019.pdf

HOW EACH SYSTEM WORKS

RHEEM LOLINE® SOLAR HOT WATER SYSTEMS

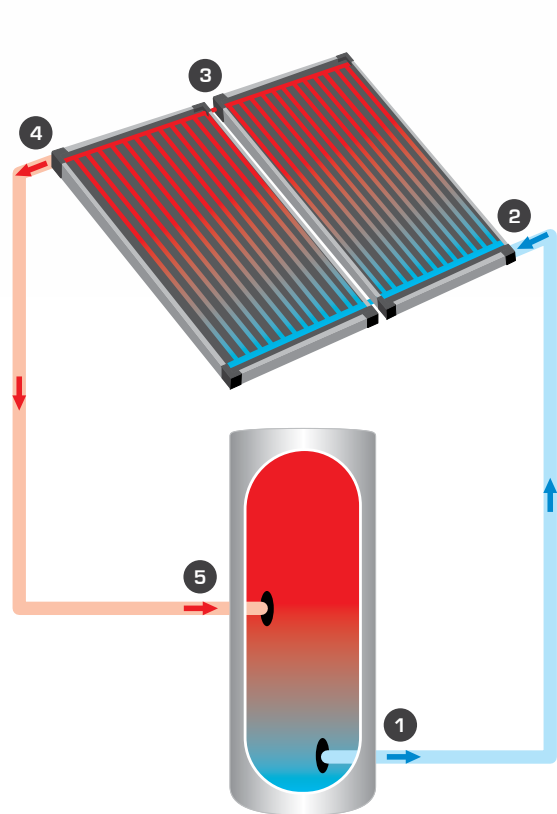
Rheem Loline® and Premier Loline® solar water heaters work by absorbing energy from the sun's rays on the roof mounted collectors and transferring it to the water stored in the ground or floor mounted storage tank. Ground or floor mounted systems employ either a circulator or pump to push the water or solar heating fluid through the solar collector.

There are two types of systems available:

OPEN CIRCUIT OR DIRECT SYSTEM

Suitable for areas with good water conditions in temperate and tropical climates. Water is circulated through the collectors and returned to the tank until an optimum hot water temperature is reached. Recommended for good water areas.

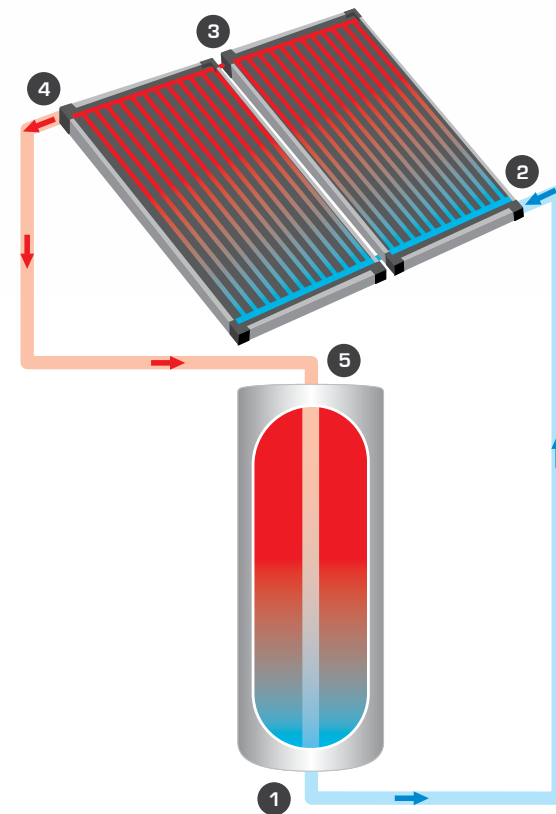
1. Cold water exits the water tank
2. Water enters the solar collectors
3. The water heats up as it rises
4. Heated water exits the collectors
5. Heated water enters the tank



CLOSED CIRCUIT OR INDIRECT SYSTEM

Suitable for cold climates or areas with harsh water conditions. Solar heating fluid is pumped through the solar collectors and returned to the heat exchanger where its heat is transferred into the water in the tank until an optimum hot water temperature is reached.

1. Cold solar heating fluid exits the water tank's heat exchanger
2. Solar heating fluid enters the solar collectors
3. It heats up as it rises
4. It exits the collectors
5. Heated fluid enters the heat exchanger
6. The hot solar heating fluid transfers heat to the water stored in the tank



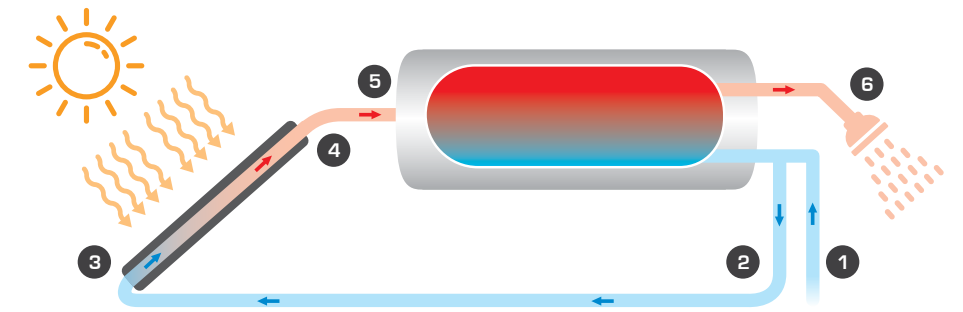
Note: Graphical representation. Might not reflect the true placement of system connections.

RHEEM HILINE® SOLAR HOT WATER SYSTEMS

Rheem Hiline® and Premier Hiline® roof mounted systems have the tank and solar collectors installed on the roof. The heat from the sun is absorbed by the solar collectors. With an open circuit or direct system, the water from the tank flows into the collectors where it gets heated and flows back into the tank. In a closed circuit or indirect system, the solar heating fluid flows from the heat exchanger into the collectors and back again where the heat is then transferred into the water in the tank. A heat exchanger separates the potable hot water from the solar circuit. This occurs through the natural thermosiphon process whilst the sun is shining (as water or fluid heats up, it becomes lighter and rises) and does not use a circulator or a pump.

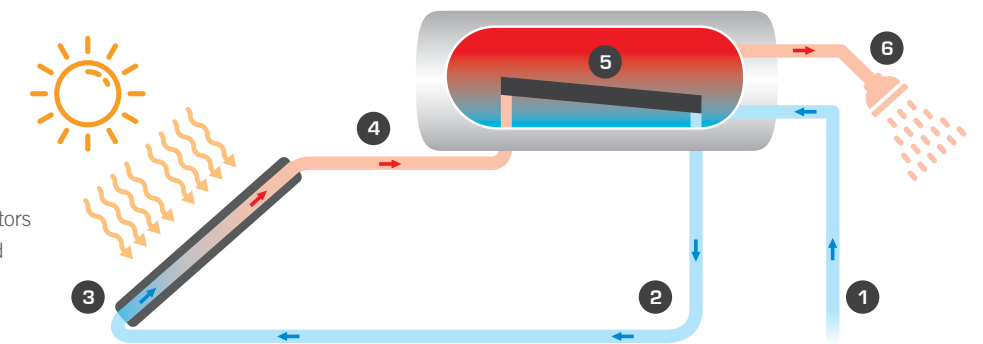
OPEN CIRCUIT OR DIRECT SYSTEM

1. Cold water mains to tank
2. Cold water exits the water tank
3. Water enters the solar collectors
4. Hot water exits the collectors
5. Heated water enters the tank
6. Hot Water Outlet to the house



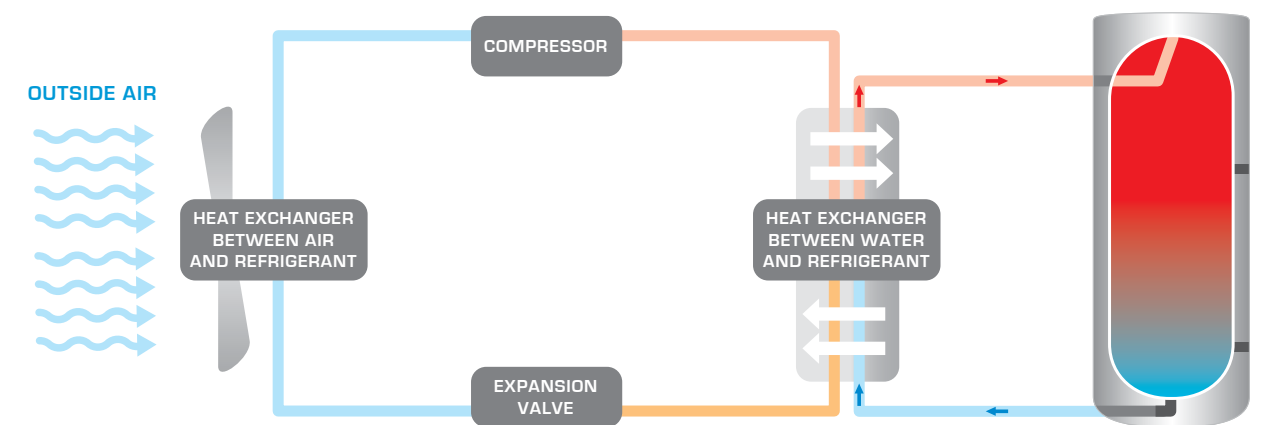
CLOSED CIRCUIT OR INDIRECT SYSTEM

1. Solar heating fluid inlet to water tank
2. Cold solar heating fluid exits the tank's heat exchanger
3. Solar heating fluid enters the solar collectors
4. Heated fluid exits the solar collectors and enters the heat exchanger
5. The hot solar heating fluid transfers heat to the water stored in the tank
6. Hot Water Outlet to the house



RHEEM HEAT PUMPS

Rheem Heat Pumps deliver hot water by efficiently utilising a free and abundant source of energy – the heat that is in the air around us. Heat is extracted from the air heating a refrigerant gas and is then transferred to the water via a heat exchanger. The higher the ambient air temperature, the faster the heating and the more efficient the system. The advantage of this process is that it can work day or night, in sunshine or rain and all year round. It works even on cooler days, as there is still heat in the atmosphere. Rheem Heat Pumps are more efficient during the warmth of the day and the warmer months of the year.



RHEEM HILINE® SOLAR HOT WATER SYSTEMS



Model: 52L300



Model: 52H300



Model: 52D300



Model: 52C300

RHEEM HILINE® 52L

NON-FROST SYSTEM (NOT AVAILABLE IN WA)

If your home is in a temperate or tropical location not subject to frost and you have good water chemistry, then the Rheem 52L Series system is ideal. The 52L Series system directly heats the water as it thermosiphons through the solar collectors and rises back into the storage tank.

- The thermosiphon process continues whilst the sun is shining giving you and your family ample hot water
- Stainless Steel cylinder
- Booster – your choice of an electric element or 6-Star continuous flow gas boost back up, to keep you in hot water when the sun isn't shining
- Full mains pressure from multiple outlets
- Eligible for STCs

RHEEM PREMIER HILINE® 52H

COMPLETE FROST PROTECTED SYSTEM

(NOT AVAILABLE IN WA)

The Rheem Premier Hiline® is designed for areas which experience frost and freezing conditions. With a closed circuit or indirect system, the solar heating fluid with its anti-freeze properties flows from the heat exchanger, thermosiphoning through the solar collectors and back again, transferring the heat into the water in the tank.

- The benefit of this indirect process is that the system can be used confidently in frost areas and freezing conditions, without risking freeze damage to the system
- Stainless Steel cylinder and heat exchanger
- Booster – your choice of an electric element or 6-Star continuous flow gas boost back up, to keep you in hot water when the sun isn't shining
- Full mains pressure from multiple outlets
- Eligible for STCs

RHEEM HILINE® 52D

NON-FROST SYSTEM

The Rheem Hiline® solar hot water system is ideal for warmer climates and areas with good water chemistry.

- The 52D Series system directly heats the water as it thermosiphons through the solar collectors and rises back into the storage tank. This process continues whilst the sun is shining, giving you and your family ample hot water
- Booster – your choice of an electric element or 6-Star continuous flow gas boost back up, to keep you in hot water when the sun isn't shining
- Full mains pressure from multiple outlets
- Eligible for STCs

RHEEM PREMIER HILINE® 52C

COMPLETE FROST PROTECTED SYSTEM

Rheem Premier Hiline® is a closed circuit or indirect solar water heater solar water heater specifically designed for environments prone to frost and freezing conditions and for areas with poor water chemistry. Rather than directly heating water, solar heating fluid with anti-freeze properties thermosiphons through the solar collectors to capture the sun's energy.

- Complete frost protection – the solar heating fluid will prevent freezing in the solar collectors
- Suitable for areas with poor water chemistry
- Booster – your choice of an electric element or 6-Star continuous flow gas boost back up, to keep you in hot water when the sun isn't shining
- Full mains pressure from multiple outlets
- Eligible for STCs



4 COLORBOND® COLOURS
NOTE: Actual colour of the tank jacket may vary to that reproduced in this brochure.



NPT200 COLLECTOR



L & CSA2007 COLLECTOR



4 COLORBOND® COLOURS
NOTE: Actual colour of the tank jacket may vary to that reproduced in this brochure.



NPT200 COLLECTOR



L & CSA2007 COLLECTOR



4 COLORBOND® COLOURS
NOTE: Actual colour of the tank jacket may vary to that reproduced in this brochure.
Coloured tank systems available in WA only.



NPT200 COLLECTOR



NPT200 COLLECTOR

RHEEM HILINE® 52L SERIES	
Tank Capacity (litres)	180 & 300
Type of Tank	Stainless Steel
Direct / Indirect System	Direct
Suitable for Climate	Temperate and Tropical climates
Frost Protection	X
Collector Models	NPT200 L CSA2007
Suitable for Harsh Water	X
Electric Boost	✓
Gas Boost	✓

RHEEM PREMIER HILINE® 52H SERIES	
Tank Capacity (litres)	180 & 300
Type of Tank	Stainless Steel
Direct / Indirect System	Indirect
Suitable for Climate	Cold and Temperate climates
Frost Protection	✓
Collector Models	NPT200 L CSA2007
Suitable for Harsh Water	X
Electric Boost	✓
Gas Boost	✓

RHEEM HILINE® 52D SERIES	
Tank Capacity (litres)	180 & 300
Type of Tank	Vitreous Enamel
Direct / Indirect System	Direct
Suitable for Climate	Temperate and Tropical climates
Frost Protection	X
Collector Models	NPT200
Suitable for Harsh Water	X
Electric Boost	✓
Gas Boost	✓

RHEEM PREMIER HILINE® 52C SERIES	
Tank Capacity (litres)	300
Type of Tank	Vitreous Enamel
Direct / Indirect System	Indirect
Suitable for Climate	Cold and Temperate climates
Frost Protection	✓
Collector Models	NPT200
Suitable for Harsh Water	✓
Electric Boost	✓
Gas Boost	✓

Stainless Steel is not suitable for harsh water conditions. Not available in WA and other locations where water chemistry is a limiting factor. Please see suitability maps.
Link: www.solar.rheem.com.au/images/Residential_Stainless_Steel_suitability_map_of_Australia_Nov_2019.pdf

RHEEM LOLINE® SOLAR HOT WATER SYSTEMS

Rheem Loline® and Premier Loline® ground mounted systems have solar collectors on the roof and tank installed on the ground or at floor level. A choice of a Stainless Steel or Vitreous Enamel lined tanks are suitable for all your home requirements from tropical to cold climates. If you need an emergency replacement, you can operate this solar storage tank on its electric or gas boost, until your solar collectors are installed.

BOOSTER OPTIONS

Boosting is a back-up feature to provide hot water at times of low solar energy gain, such as during cloudy or rainy weather, or during the colder months or periods of increased hot water demand.

There are two types of boosting available:

- **Electric** boosting element or
- **6-Star 26L/min continuous flow gas** boosting



Model: 5A2325
(Optional wall mounted continuous flow gas booster)



Model: 5A2325

RHEEM LOLINE® STAINLESS STEEL ENHANCED FROST PROTECTED SYSTEMS

A Rheem Loline® SS solar water heater, with its light-weight Stainless Steel tank and natural anti-corrosion properties, uses solar collectors installed on the roof to absorb heat energy from the sun. The cooler water from the storage tank is circulated to the solar collectors to be heated by the sun's energy, and the hotter water from the solar collectors is circulated back to the storage tank.

- Enhanced frost protection – has a level of enhanced recirculating freeze protection with a back-up frost element designed to guard the system against frost damage to the solar collectors in cold conditions, for installations up to 600 metres altitude
- Automatic electronic controls for solar energy gain and circulating freeze protection
- Booster – your choice of electric element or 6-Star continuous flow gas boost back up, to keep you in hot water when the sun isn't shining
- LED Display to check the operating status
- Full mains pressure from multiple outlets
- Eligible for STCs



NPT200 & CSA2007
COLLECTOR

RHEEM LOLINE® STAINLESS STEEL	
MODEL	5A2325
Tank Capacity (litres)	325
Type of Tank	Stainless Steel
Direct / Indirect System	Direct
Suitable for Climate	Tropical, Temperate and Cold climates
Enhanced Frost Protection	✓
Collector Models	NPT200 CSA2007
Suitable for Harsh Water	✗
Electric Boost	✓
Gas Boost	✓



Model: 511325

RHEEM LOLINE® VITREOUS ENAMEL LIMITED FROST PROTECTED SYSTEMS

Rheem Loline® solar water heaters use solar collectors installed on the roof to absorb heat which heats the water in the solar collectors and is circulated to the tank at ground or floor level. Designed for warmer climates and areas with good water chemistry.

- Automatic electronic controls for solar energy gain and circulating freeze protection
- Limited frost protection – has a level of limited recirculating freeze protection to guard the system against frost damage to the solar collectors, for installations up to 400 metres altitude
- Booster – your choice of electric element or 6-Star continuous flow gas boost back up, to keep you in hot water when the sun isn't shining
- Full mains pressure from multiple outlets
- Eligible for STCs



NPT200 & CSA2007
COLLECTOR

RHEEM LOLINE® VITREOUS ENAMEL	
MODEL	511271 / 511325 / 511410 / 51A250 / 51A315
Tank Capacity (litres)	270, 325 & 410
Type of Tank	Vitreous Enamel
Direct / Indirect System	Direct
Suitable for Climate	Tropical and Temperate climates
Limited Frost Protection	✓
Collector Models	NPT200 CSA2007
Suitable for Harsh Water	✗
Electric Boost	✓
Gas Boost	✓



Model: 596270

RHEEM PREMIER LOLINE® VITREOUS ENAMEL COMPLETE FROST PROTECTED SYSTEMS

Specifically designed for environments prone to freezing conditions and areas with poor water chemistry, the Rheem Premier Loline® incorporates Rheem's unique Drain-Back heat exchange technology to maximise solar gain and protect against freezing in all weather extremes.

The Premier Loline® uses a solar heating fluid with anti-freeze properties and drains out of the solar collectors when solar gain is not being achieved.

- Designed for very cold climates and all-weather conditions and areas with harsh water chemistry
- Complete frost protection – unique Drain-Back heat exchange falling film technology
- Booster – your choice of electric element or 6-Star continuous flow gas boost back up to keep you in hot water when the sun isn't shining
- Eligible for STCs



SPA2000 & CSA2007
COLLECTOR

RHEEM PREMIER LOLINE® VITREOUS ENAMEL		
MODEL	591270	596270
Tank Capacity (litres)	270	270
Type of Tank	Vitreous Enamel	Vitreous Enamel
Direct / Indirect System	Indirect	Indirect
Suitable for Climate	Tropical, Temperate and Cold climates	Tropical, Temperate and Cold climates
Complete Frost Protection	✓	✓
Collector Models	SPA2000 CSA2007	SPA2000 CSA2007
Suitable for Harsh Water	✓	✓
Electric Boost	✓	✗
Gas Boost	✗	✓

NEW

RHEEM ELECTRIC SOLAR READY WATER HEATER

HOW IT WORKS

Rheem's Electric Solar Ready water heater is designed for your regular and emergency water replacement needs. This electric water heater has solar water connections which are connected when upgraded to a solar water heater. The addition of a unique electronic solar controller and the solar collectors then upgrades the water heater from electric to solar. This future proofs your investment.

AS AN ELECTRIC WATER HEATER

- Suitable for standard or emergency replacement of your old electric water heater
- Fast, easy like-for-like replacement of an equivalent size electric water heater
- Available in Stainless Steel (315L) and Vitreous Enamel lined (250L & 315L) models
- Thicker anode in Vitreous Enamel lined models for added protection
- Suitable for outdoor or indoor installation
- Designed to operate as a single element (3.6kW) electric water heater
- Mains pressure water delivery for water that comes on steady, hot and strong
- Built-in solar circuit inlet and outlet connections for an upgrade to solar
- Upgrade to solar hot water system by adding solar collectors and solar controller – when you are ready
- Designed and built in Australia for Australian conditions

BOOSTER OPTIONS

Boosting is a back-up feature to provide hot water at times of low solar energy gain, such as during cloudy or rainy weather, or during the colder months or periods of increased hot water demand.

There are two types of boosting available:

- **Electric** boosting element or
- **6-Star 26L/min continuous flow gas** boosting



Model: 51M315



MODEL NO. 51M315S/2NPT-G

UPGRADE TO A SOLAR WATER HEATER

- Simple upgrade to Solar by installing slimline collectors to the roof and unique smart connect solar controller on the tank. Easy connections to the solar fittings provided
- As a solar water heater, it has a 3.6kW mid tank electric booster element and a 1.0kW bottom frost element for enhanced frost protection
- Enhanced frost protection – recirculating freeze protection utilising an electronically controlled back-up frost element for frosty conditions
- Incorporates automatic electronic controls
- Can be installed up to 600 metres altitude
- Range of collector options to suit different climate zones
- Energy Efficient – may save up to 65% in hot water heating energy use as compared to electric water heater¹
- Booster – choice of electric element or 6-Star gas boost for back up to provide hot water in any weather conditions
- Australian designed and developed with the tank and solar controller manufactured in Australia



1. Energy reduction is based on Australian Government Approved TRNSYS simulation modelling of the 5AM325/2NPT and 51M325/2NPT systems and using a medium load in Zone 3 and apply when replacing an electric water heater.
 2. Warranty limits regarding water chemistry. Harsh water regions – the Rheem warranty may not apply if the water heater is connected to a water supply which: has a Chloride content >250mg/L; a pH <6.0 or >9.5; has a Total Dissolved Solids content >600mg/L; is scaling with a Saturation Index >+0.8, or; is corrosive with a Saturation Index <-1.0.

RHEEM ELECTRIC SOLAR READY WATER HEATER

MODEL	5AM315	51M250	51M315
Tank Capacity (litres)	325	270	325
Type of Tank	Stainless Steel	Vitreous Enamel	Vitreous Enamel
Direct / Indirect System	Direct	Direct	Direct
Suitable for Climate	Tropical, Temperate & Cold climates	Tropical, Temperate & Cold climates	Tropical, Temperate & Cold climates
Enhanced Frost Protection	Yes	Yes	Yes
Collector Models	NPT200 CSA2007	NPT200 CSA2007	NPT200 CSA2007
Suitable for Harsh Water	X	X	X
Electric Boost	✓	✓	✓
Gas Boost	✓	✓	✓

RHEEM HEAT PUMPS

Rheem Heat Pump water heaters are an energy efficient, affordable way to heat water. Heat Pumps use the heat from the surrounding air to heat your water and help reduce your water heating energy consumption compared to an electric water heater. They work all year round, day or night, in sunshine or rain and even on cooler days, as there is always heat in the atmosphere which can be used.

FEATURES

- No need for solar collectors – perfect where roof space is limited
- Can use the same connections as an electric water heater
- Ideal upgrade from a standard electric water heater
- Vitreous Enamel lined tanks
- Saves energy compared to an electric water heater
- Includes a back-up element, delivering hot water, for the coldest winter nights



WORKS DAY & NIGHT
Heat Pumps draw heat from the surrounding air to heat the water



COP OF 4.5kW
Coefficient of Performance (COP)⁵ of 4.5 making Model 551270 a highly efficient water heater to help reduce energy consumption



BACK-UP ELEMENT
Provides hot water even in very cold conditions



FROST PROTECTED
Suitable for cold and frost climates

NEW

YOUR COMPLETE RENEWABLE HOT WATER SOLUTIONS



Model: 551270

RHEEM AMBIHEAT HDc-270 270L HEAT PUMP

The AMBIHEAT HDc-270 heat pump is a smart, energy efficient alternative for areas where a traditional solar water heater may not be suitable. It uses the heat from the surrounding air to heat your water and provides a reliable, efficient and sustainable way to reduce your water heating energy consumption. A heat pump works day and night as it extracts heat from the surrounding air and doesn't rely on direct sunlight to operate.

- Advanced wrap around microchannel heating technology for uniform and faster water heating
- Suitable for cold climates with an operating range from -5°C to higher ambient temperatures
- Suitable for harsh water conditions³
- Save up to 68% on your water heating energy consumption compared to an electric water heater in Zone 3¹
- High recovery rate for fast heating and 2.4kW back-up element
- User-friendly touch screen LED display
- Eligible for STCs
- 7 year cylinder warranty³
- Suitable for 2 to 5 people

RHEEM AMBIHEAT HDc-270 HEAT PUMP	
MODEL	551270
Tank Capacity (litres)	270
Type of Tank	Vitreous Enamel lined
Suitable for Climate	Tropical, Temperate and Cold climates
Frost Protected	✓
Suitable for Harsh Water	✓

1. Energy savings of up to and between 64% to 71% in Zone 1 to 5 on hot water energy consumption when replacing an electric water heater on either 24 hour continuous tariff or extended off peak (min 16 hours/day). Any savings will vary depending upon your location, type of water heater being replaced, hot water consumption and fuel tariff. Zone 1 - 71.2%, Zone 2 - 93.9%, Zone 3 - 68.5%, Zone 4 - 65.5% & Zone 5 - 64.1%
2. Acrylonitrile Butadiene Styrene (ABS) is an opaque thermoplastic and amorphous polymer and Acrylonitrile styrene acrylate (ASA), also called acrylic styrene acrylonitrile, is an amorphous thermoplastic with improved weather resistance.
3. Warranty limits regarding water chemistry. Harsh water regions – the Rheem warranty may not apply if the water heater is connected to a water supply which: has a Chloride content >250mg/L; a pH <6.0 or >9.5; has a Total Dissolved Solids content >600mg/L; is scaling with a Saturation Index >+0.8, or; is corrosive with a Saturation Index <-1.0.
4. Note: Stainless Steel is not suitable for harsh water conditions. Please see suitability maps. Link: www.solar.rheem.com.au/images/Residential_Stainless_Steel_suitability_map_of_Australia_Nov_2019.pdf
5. Testing at ambient temperature: 19°C/15°C (Dry Bulb/Wet Bulb) and ambient temperature from 15°C to 55°C for water heater operation.



ENAMEL COATING
Reduce the risk of corrosion



MICROCHANNEL TECHNOLOGY
Provide a larger contact area for faster heating



SIDE FAN DESIGN
Design specially developed to protect the unit from heavy rain



DURABLE TOP COVER
With its durable ABS & ASA² top cover, the unit can easily withstand all weather conditions



SMART LED CONTROLLER DISPLAY
A bright interactive LED touchscreen display putting control at your fingertips



Model: 551310



Model: 551325

RHEEM HDi 310L HEAT PUMP

The HDi-310 Heat Pump introduced single-pass Top Down Heating; an advanced design which heats water to 60°C for immediate use. Using refrigerant-based technology, heat pumps can operate in any season, day and night.

- Back-up electric element for boosting to ensure that hot water is available 24/7, during very cold conditions
- Energy efficient – cutting energy use and greenhouse gas emissions compared to an electric water heater
- Fits on a compact footprint
- Full mains pressure from multiple outlets
- Eligible for STCs
- Suitable for 3 to 6 people



RHEEM HDi 310L HEAT PUMP	
MODEL	551310
Tank Capacity (litres)	310
Type of Tank	Vitreous Enamel
Suitable for Climate	Tropical, Temperate and Cold climates
Frost Protected	✓
Suitable for Harsh Water	✗

RHEEM MPi 325L HEAT PUMP

The MPi Series II Rheem Heat Pump utilises the advanced heating technology to efficiently heat water. Heat energy is absorbed and processed through a refrigeration system, resulting in hot water using approximately up to a third of the energy of an electric water heater.

- Multi-pass heating heats the water 'isothermally' by passing the water through the heat exchanger multiple times
- Constant recovery minimises energy use by heating at a constant, optimised rate
- Energy efficient – cutting energy use and greenhouse gas emissions compared to an electric water heater
- Back-up element provides hot water in very cold conditions
- Suitable for warm climates and average size families
- Full mains pressure from multiple outlets
- Eligible for STCs
- Suitable for 2 to 5 people



RHEEM MPi 325L HEAT PUMP	
MODEL	551325
Tank Capacity (litres)	325
Type of Tank	Vitreous Enamel
Suitable for Climate	Tropical, Temperate and Cold climates
Frost Protected	✓
Suitable for Harsh Water	✗

SOLAR COLLECTORS TO SUIT YOUR NEEDS

NPT200 COLLECTOR

The NPT200 collector is our largest selling collector. An efficient collector suitable for use in all climatic regions, the NPT200 collector is solidly constructed with copper header and riser waterway tubes and a non-selective surface black powder coated aluminium absorber plate, housed in a durable Zinalume® steel tray. It is available for both direct and indirect systems.



L COLLECTOR

The L collector is an efficient non-selective surface collector suitable for use in all climatic regions. It is solidly constructed and manufactured with copper header and riser waterway tubes and a black powder coated aluminium absorber plate, housed in an aluminium tray. It is available for use with both direct and indirect thermosiphon systems.



CSA2007 COLLECTOR

The CSA2007 collector is a higher performance selective surface collector suitable for cooler climates and high-altitude performance. It uses advanced heat-transfer technology to gather more of the sun's energy. It is made with copper header and riser waterway tubes and an advanced sputtered Tinox-coated copper absorber plate to enhance performance. It is available for both direct and indirect systems.



SPA2000 COLLECTOR

The SPA2000 collector is an efficient non-selective surface collector suitable for use in all climatic regions. The black powder coated steel absorber plate with its 35 diamond shaped risers provides a higher thermal mass and an increased solar heating fluid to surface contact ratio to provide economical system efficiency. It is available for use in indirect Premier Loline® systems.



SOLAR COLLECTOR		NPT200	L	CSA2007	SPA2000
Aperture (heating) area	m ²	1.87	1.87	1.88	1.88
Dimensions	length	1938	1943	1996	1996
	width	1024	1027	1043	1043
	height	80	83	82	82
Working pressure	kPa	1000	1000	1000	200
Capacity	litres	1.5	1.5	1.5	4
Weight	empty (excluding fittings)	36	29	34	45
	full (including fittings)	40	33	38	52
Absorber surface		Black polyester powder coat	Black polyester powder coat	Blue Tinox sputtered selective surface	Black polyester powder coat
Absorber material		Aluminium	Aluminium	Copper	Steel
Riser material		Copper	Copper	Copper	Steel
No. of Risers		7	7	7	35
Tray material		Zinalume	Aluminium	Extruded aluminium sides Zinalume® base	Extruded aluminium sides Zinalume® base
Insulation material (base)		38mm polyester blanket	38mm polyester blanket	38mm glass wool blanket	38mm polyester blanket
Glass		3.2mm tempered low iron	3.2mm tempered low iron	3.2mm tempered low iron	3.2mm tempered low iron

Note: Rheem Solar Specialist will recommend the most suitable collector option to suit your specific requirements.

TECHNICAL SPECIFICATIONS

RHEEM SS ELECTRIC (SOLAR READY) WATER HEATER AND RHEEM LOLINE® SS SOLAR HOT WATER SYSTEMS WITH ENHANCED FROST PROTECTION

ELECTRIC (SOLAR READY) WATER HEATER		UPGRADED TO RHEEM LOLINE STAINLESS STEEL SOLAR HOT WATER SYSTEM	
		Electric	
		5AM315	
Delivery Capacity	Litres	315	
Element Rating	kW	3.6	
People Per Household		Up to 4	
Dimensions & Specifications			
TPR Valve Setting	kPa	1000	
Expansion Control Valve (ECV) Setting	kPa	850	
Max. Water Supply Pressure with ECV	kPa	680	
without ECV	kPa	800	
Water Connections		Rp 3/4	
Tank height (A)	mm	1760	
Tank width (B)	mm	631	
Tank depth (C)	mm	671	
Tank weight - Empty	Kg	54	
Tank weight - Full	Kg	380	

UPGRADED TO RHEEM LOLINE STAINLESS STEEL SOLAR HOT WATER SYSTEM		Electric		Gas	
		5AM315S/2NPT 5AM315S/3NPT 5AM315S/2CS07		5AM315S/2NPT-G 5AM315S/3NPT-G 5AM315S/2CS07-G	
Storage Capacity	litres	325			
Boost Capacity	litres	160		26L/min	
Booster Rating / Input		3.6 kW		199 MJ/h	
Frost Element Rating	watts	1030		1030	
Solar Collectors		2 or 3 x NPT200 or 2 or 3 x CSA2007			
People Per Household		2 to 4		2 to 6	
Dimensions & Specifications					
Minimum Water Supply Pressure	kPa	200			
Tank height (A)	mm	1760			
Tank width (B)	mm	631			
Tank depth (C)	mm	671			
Overall Width (D)	mm	751			
Tank weight - Empty	kg	54			
Tank weight - Full	kg	380			
Weight Full - 2 x Collectors	kg	80			
- 3 x Collectors	kg	120			
Installation Area - 2 x Collectors	m	2.3 x 2			
- 3 x Collectors	m	3.4 x 2			

RHEEM VE ELECTRIC (SOLAR READY) WATER HEATER AND RHEEM LOLINE® VE SOLAR HOT WATER SYSTEMS WITH ENHANCED FROST PROTECTION

ELECTRIC (SOLAR READY) WATER HEATER		UPGRADED TO VITREOUS ENAMEL RHEEM LOLINE SOLAR HOT WATER SYSTEM	
		Electric	
		51M250	51M315
Delivery Capacity	litres	250	315
Element Rating	kW	3.6	3.6
People Per Household		Up to 3	Up to 4
Dimensions & Specifications			
TPR Valve Setting	kPa	1000	1000
Expansion Control Valve (ECV) Setting	kPa	850	850
Max. Water Supply Pressure with ECV	kPa	680	680
without ECV	kPa	800	800
Water Connections		Rp 3/4	Rp 3/4
Tank height (A)	mm	1390	1640
Tank width (B)	mm	640	640
Tank depth (C)	mm	680	680
Tank weight - Empty	kg	84	94
Tank weight - Full	kg	354	419

UPGRADED TO VITREOUS ENAMEL RHEEM LOLINE SOLAR HOT WATER SYSTEM		Electric		Gas	
		51M250S/2NPT 51M250S/3NPT 51M250S/2CS07		51M315S/2NPT 51M315S/3NPT 51M315S/2CS07	
Storage Capacity	litres	270			
Boost Capacity	litres	140		26L/min	
Booster Rating / Input		3.6 kW		199 MJ/h	
Frost Element Rating	watts	1030		1030	
Solar Collectors		2 or 3 x NPT200 or 2 x CSA2007			
People Per Household		1 to 3		2 to 5	
Dimensions & Specifications					
Minimum Water Supply Pressure	kPa	200			
Tank height (A)	mm	1395			
Tank width (B)	mm	640			
Tank depth (C)	mm	680			
Overall width (D)	mm	765			
Tank weight - Empty	kg	84			
Tank weight - Full	kg	354			
Weight Full - 2 x Collectors	kg	80			
- 3 x Collectors	kg	120			
Installation Area - 2 x Collectors	m	2.3 x 2			
- 3 x Collectors	m	3.4 x 2			

RHEEM HILINE AND PREMIER® HILINE STAINLESS STEEL SOLAR HOT WATER SYSTEMS WITH FROST PROTECTION

UNIT	STAINLESS STEEL TANK - DIRECT SYSTEM				STAINLESS STEEL TANK - INDIRECT SYSTEM						
	Electric		Gas		Electric		Gas				
	52L180/1NPT 52L180/1L 52L180/1CS07	52L180/1NPT-G 52L180/1L-G 52L180/1CS07-G	52L300/2NPT 52L300/2L 52L300/2CS07	52L300/2NPT-G 52L300/2L-G 52L300/2CS07-G	52H180/1NPT 52H180/1L 52H180/1CS07	52H180/1NPT-G 52H180/1L-G 52H180/1CS07-G	52H300/2NPT 52H300/2L 52H300/2CS07	52H300/2NPT-G 52H300/2L-G 52H300/2CS07-G	52H300/3NPT 52H300/3L -	52H300/3NPT-G 52H300/3L-G -	
Storage Capacity	litres 180		300		180		300		300		
Boost Capacity	litres 90		20L or 26L/min		150		26L/min		150		
Booster Rating / Input	2.4kW		157 or 199 MJ/h		2.4 or 3.6kW		199 MJ/h		3.6kW		
Solar Collectors	1 x NPT200 or 1 x L or 1 x CSA2007		2 x NPT200 or 2 x L or 2 x CSA2007		1 x NPT200 or 1 x L or 1 x CSA2007		2 x NPT200 or 2 x L or 2 x CSA2007		3 x NPT200 or 3 x L		
People Per Household	1 to 2		1 to 3		2 to 5		2 to 5		2 to 5		
Dimensions & Specifications											
Tank height (A)	mm	2560		2560		2560		2560		2560	
Tank width (B)	mm	1550		2200		1550		2200		3300	
Tank depth (C)	mm	570		570		570		570		570	
Tank weight - Empty	kg	48		72		53		79		79	
Tank weight - Full	kg	228		377		233		384		384	
System Weight - Empty	kg	90		151		94		158		198	
System Weight - Full	kg	273		455		280		470		510	

RHEEM HILINE AND PREMIER® HILINE VITREOUS ENAMEL SOLAR HOT WATER SYSTEMS WITH FROST PROTECTION

UNIT	VITREOUS ENAMEL LINED TANK DIRECT SYSTEM				VITREOUS ENAMEL LINED TANK INDIRECT SYSTEM	
	Electric		Gas		Electric	Gas
	52D180/1NPT	52D180/1NPT-G	52D300/2NPT	52D300/2NPT-G	52C300/2NPT	52C300/2NPT-G
Storage Capacity	litres 180		300		300	
Boost Capacity	litres 90		20L or 26L/min		150	
Booster Rating / Input	2.4 or 3.6kW		157 or 199 MJ/h		2.4 or 3.6kW	
Solar Collectors	1 x NPT200		2 x NPT200		2 x NPT200	
People Per Household	1 to 2		1 to 3		2 to 5	
Dimensions & Specifications						
Tank height (A)	mm	2480		2480		2480
Tank width (B)	mm	1595		2410		2425
Tank depth (C)	mm	510		510		510
Tank weight - Empty	kg	60		92		110
Tank weight - Full	kg	240		392		410
System Weight - Empty	kg	103		172		190
System Weight - Full	kg	286		476		505

RHEEM SS LOLINE® SOLAR HOT WATER SYSTEM - ENHANCED FROST PROTECTION

UNIT	STAINLESS STEEL TANK	
	Electric	Gas
	5A2325/2NPT 5A2325/3NPT 5A2325/2CS07	5A2325/2NPT-G 5A2325/3NPT-G 5A2325/2CS07-G
Storage Capacity	litres 325	
Boost Capacity	litres 160	
Booster Rating / Input	3.6 kW	
Frost Element Rating	watts 1030	
Solar Collectors	2 or 3 x NPT200 or 2 x CSA2007	
People Per Household	2 to 4	
Dimensions & Specifications		
Minimum Water Supply Pressure	kPa 200	
Tank height (A)	mm 1760	
Tank width (B)	mm 751	
Tank depth (C)	mm 631	
Tank weight - Empty	kg 54	
Tank weight - Full	kg 380	
Installation Area - 2 x Collectors	m 2.3 x 2	
- 3 x Collectors	m 3.4 x 2	
Weight Full - 2 x Collectors	kg 80	
- 3 x Collectors	kg 120	

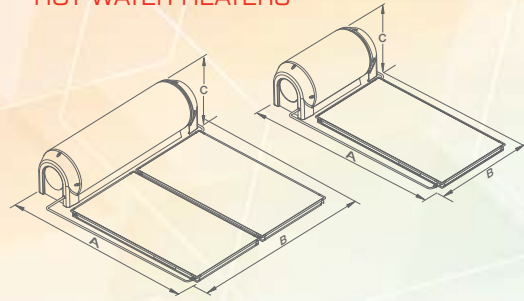
RHEEM PREMIER® LOLINE VITREOUS ENAMEL SOLAR HOT WATER SYSTEMS - COMPLETE FROST PROTECTION

UNIT	VITREOUS ENAMEL LINED TANK				
	Electric		Gas		
	591270/2SP 591270/2CS07	591270/3SP 591270/3CS07	596270/2SP 596270/2CS07	596270/3SP 596270/3CS07	
Storage Capacity	litres 270				
Boost Capacity	litres 125				
Booster Rating / Input	3.6 kW				
Solar Collectors	2 x SPA2000 or 2 x CSA2007				
People Per Household	1 to 3				
Dimensions & Specifications					
Tank height (A)	mm	1775		1787	
Tank width (B)	mm	650		650	
Tank depth (C)	mm	682		851	
Tank weight - Empty	kg	163		184	
Tank weight - Full	kg	433		454	
Weight Full - SPA2000 Collectors	kg	104	156	104	156
Weight Full - CSA2007 Collectors	kg	76	114	76	114
Collector Installation area	m	2.3 x 2	3.4 x 2	2.3 x 2	3.4 x 2

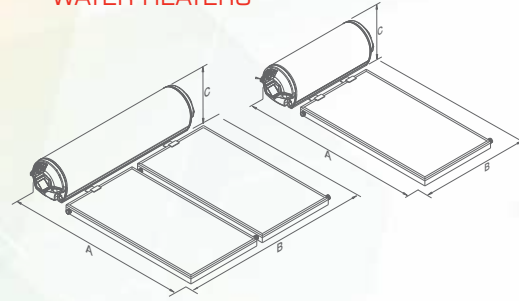
RHEEM LOLINE® VITREOUS ENAMEL SOLAR HOT WATER SYSTEMS - LIMITED FROST PROTECTION

UNIT	VITREOUS ENAMEL TANK					
	Electric		Gas		Gas	
	511271/2NPT 511271/3NPT 511271/2CS07	511271/2NPT-G 511271/3NPT-G 511271/2CS07-G	511325/2NPT 511325/3NPT 511325/2CS07	511325/2NPT-G 511325/3NPT-G 511325/2CS07-G	511410/2NPT 511410/3NPT 511410/4NPT 511410/2CS07 511410/3CS07	511410/2NPT-G 511410/3NPT-G 511410/4NPT-G 511410/2CS07-G 511410/3CS07-G
Storage Capacity	litres 270		325		410	
Boost Capacity	litres 140		26L/min		220	
Booster Rating / Input	3.6 kW		199 MJ/h		3.6 kW	
Solar Collectors	2 or 3 x NPT200 or 2 x CSA2007		2 or 3 x NPT200 or 2 x CSA2007		2 or 3 or 4 x NPT200 or 2 or 3 x CSA2007	
People Per Household	1 to 3		2 to 5		3 to 7	
Dimensions & Specifications						
Minimum Water Supply Pressure	kPa 200		200		200	
Tank height (A)	mm 1395		1640		1840	
Tank width (B)	mm 640		640		690	
Tank depth (C)	mm 680		680		730	
Tank weight - Empty	kg 82		92		115	
Tank weight - Full	kg 352		418		525	
Weight Full - 2 x Collectors	kg 80		80		80	
- 3 x Collectors	kg 120		120		120	
- 4 x Collectors	kg -		-		160	
Installation Area - 2 x Collectors	m 2.3 x 2		2.3 x 2		2.3 x 2	
- 3 x Collectors	m 3.4 x 2		3.4 x 2		3.4 x 2	
- 4 x Collectors	m -		-		4.5 x 2	

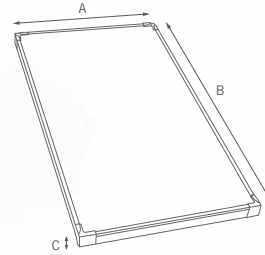
RHEEM PREMIER HILINE® SOLAR HOT WATER HEATERS



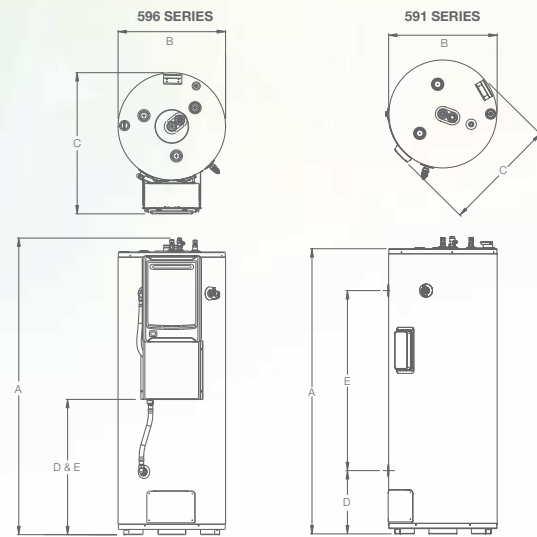
RHEEM HILINE® SOLAR HOT WATER HEATERS



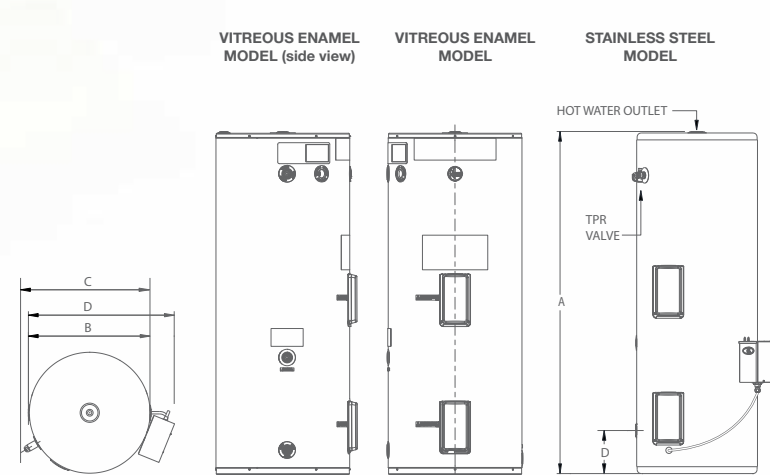
RHEEM SOLAR COLLECTORS



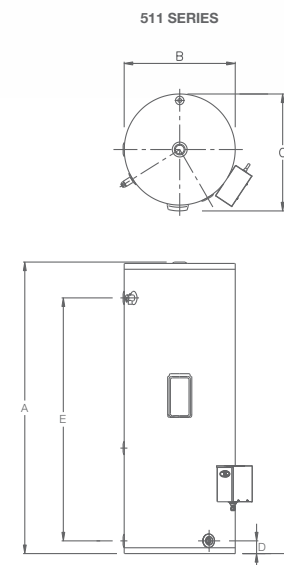
RHEEM PREMIER LOLINE® SOLAR HOT WATER HEATERS



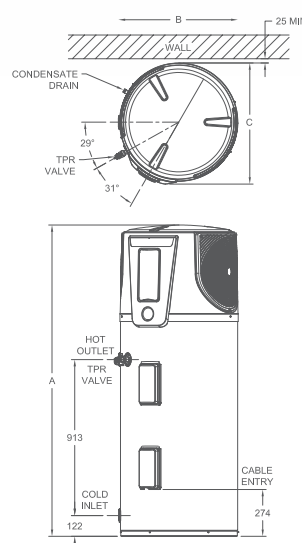
RHEEM SOLAR READY ELECTRIC WATER HEATERS



RHEEM LOLINE® SOLAR HOT WATER HEATERS



RHEEM HEAT PUMPS WATER HEATERS



RHEEM HEAT PUMPS

MODEL	UNIT	Hdc-270	HDi-310	MPI-325
System		551270	551310	551325
Storage Capacity	litres	270	310	325
Boost Capacity	litres	195	220	180
Rated Heat Pump Power Input	W	985	1300	800
Element Rating		2.4	3.6	3.6
Coefficient of Performance (COP)		4.5	2.9	3.6
People Per Household		2 to 5	3 to 6	2 to 5
Dimensions & Specifications				
Heater height (A)	mm	1825	1870	1631
Heater width (B)	mm	730	670	888
Heater depth (C)	mm	760	679	638
Heater weight - Empty	kg	136	94	88
Heat Pump Module weight	kg	N/A	53	42
Heater Weight - Empty	kg	136	147	130
Heater Weight - Full	kg	306	457	455
Refrigerant		R134a	R134a	R134a
Water Connections & Settings				
Inlet		RP 3/4	RP 3/4	RP 3/4
Outlet		RP 3/4	RP 3/4	RP 3/4
Temp Press Relief (TPR) Valve Setting	kPa	1000	1000	1000
Expansion Control Valve	kPa	850	850	850
Maximum Mains Supply Pressure				
With expansion control valve	kPa	680	680	680
Without expansion control valve	kPa	800	800	800
Minimum Water Supply Pressure	kPa	200	200	200

* Testing at ambient temperature: 20/15°C (Dry Bulb/Wet Bulb) and ambient temperature from 15°C to 55°C for water heater operation.

RHEEM MANUFACTURER'S WARRANTY

All our hot water systems come with a manufacturer's warranty, with coverage depending on the model you choose. As further support, Rheem has in place easily accessible service providers. These experienced technical personnel are authorised to provide you with whatever service your Rheem hot water system may require.

										INSTALLATION IN A SINGLE FAMILY DOMESTIC DWELLING					
										TANK		COLLECTORS		COMPONENTS	
MODEL	TANK CAPACITY (LITRES)	CYLINDER TYPE*	DIRECT / INDIRECT SYSTEM	FROST PROTECTED	SOLAR COLLECTORS	HARSH WATER	ELECTRIC BOOST	GAS BOOST (OPTION)	CYLINDER	LABOUR	COLLECTOR	LABOUR	PARTS	LABOUR	
RHEEM HILINE® SERIES															
RHEEM HILINE® 52L180	180	SS	Direct	X	NPT200	X	✓	✓	7	3	7	3	1	1	
					L	X	✓	✓	10	5	10	5	5	5	
					CSA2007	X	✓	✓	10	5	10	5	5	5	
RHEEM HILINE® 52L300	300	SS	Direct	X	NPT200	X	✓	✓	7	3	7	3	1	1	
					L	X	✓	✓	10	5	10	5	5	5	
					CSA2007	X	✓	✓	10	5	10	5	5	5	
RHEEM PREMIER HILINE® 52H180	180	SS	Indirect	✓	NPT200	X	✓	✓	7	3	7	3	1	1	
					L	X	✓	✓	10	5	10	5	5	5	
					CSA2007	X	✓	✓	10	5	10	5	5	5	
RHEEM PREMIER HILINE® 52H300	300	SS	Indirect	✓	NPT200	X	✓	✓	7	3	7	3	1	1	
					L	X	✓	✓	10	5	10	5	5	5	
					CSA2007	X	✓	✓	10	5	10	5	5	5	
RHEEM HILINE® 52D180	180	VE	Direct	X	NPT200	X	✓	✓	5	3	5	1	1	1	
RHEEM HILINE® 52D300	300	VE	Direct	X	NPT200	X	✓	✓	5	3	5	1	1	1	
RHEEM PREMIER HILINE® 52C300	300	VE	Indirect	✓	NPT200	✓	✓	✓	5	3	5	1	1	1	
RHEEM LOLINE® SERIES															
RHEEM LOLINE® 5A2325	325	SS	Direct	✓	NPT200	X	✓	✓	7	3	5	3	1	1	
					CSA2007	X	✓	✓	7	3	5	3	1	1	
RHEEM LOLINE® 511271 / 511325 / 511410	270 / 325 / 410	VE	Direct	✓	NPT200	X	✓	✓	5	3	5	1	1	1	
					CSA2007	X	✓	✓	5	3	5	1	1	1	
RHEEM PREMIER LOLINE® 591270	270	VE	Indirect	✓	SPA2000	✓	✓	X	5	3	5	1	1	1	
					CSA2007	✓	✓	X	5	3	5	1	1	1	
RHEEM PREMIER LOLINE® 596270	270	VE	Indirect	✓	SPA2000	✓	X	✓	5	3	5	1	1	1	
					CSA2007	✓	X	✓	5	3	5	1	1	1	
RHEEM SOLAR READY® SERIES															
RHEEM SOLAR READY 5AM315	315	SS	Direct	✓	NPT200	X	✓	✓	10	3	10	3	1	1	
					CSA2007	X	✓	✓	10	3	10	3	1	1	
RHEEM SOLAR READY 51M250/51M315	270 / 325	VE	Direct	✓	NPT200	X	✓	✓	10	3	10	3	1	1	
					CSA2007	X	✓	✓	10	3	10	3	1	1	
HEAT PUMPS															
MODEL	TANK CAPACITY (LITRES)	CYLINDER TYPE	FROST PROTECTED	SOLAR COLLECTORS	HARSH WATER	ELECTRIC BOOST	GAS BOOST (OPTION)	TANK		SEALED SYSTEM		COMPONENTS			
								CYLINDER	LABOUR	SEALED SYSTEM	LABOUR	PARTS	LABOUR		
551270 Heat Pump Hdc-270	270	VE	✓	N/A	X	✓	X	7	3	3	3	1	1		
551310 Heat Pump HDi-310	310	VE	✓	N/A	X	✓	X	5	3	2	2	1	1		
551325 Heat Pump MPI-325	325	VE	✓	N/A	X	✓	X	5	3	2	2	1	1		

* All continuous flow gas boosters carry a warranty of 10 years supply on heat exchanger, 3 years labour on heat exchanger, 3 years supply and labour on other parts.

+ SS = Stainless Steel cylinder and VE = Vitreous Enamel line mild steel cylinder

1. Warranty limits regarding water chemistry. Harsh water regions – the Rheem warranty may not apply if the water heater is connected to a water supply which: has a Chloride content >250mg/L; a pH <6.0 or >9.5; has a Total Dissolved Solids content >600mg/L; is scaling with a Saturation Index >+0.8, or; is corrosive with a Saturation Index <-1.0.

2. Note: Stainless Steel is not suitable for harsh water conditions. Please see suitability maps.

Link: www.solar.rheem.com.au/images/Residential_Stainless_Steel_suitability_map_of_Australia_Nov_2019.pdf

ADDITIONAL INFORMATION

WATER CHEMISTRY – GOOD AND HARSH WATER CONDITIONS

Rheem water heaters are manufactured to suit the water conditions of most public reticulated water supplies. However, there are some known water chemistries which are harsh and can have detrimental effects on the water heater and its operation and / or life expectancy. That's why we have a range of Stainless Steel and Vitreous Enamel lined water heaters, along with direct and indirect systems to cover this eventuality.

A list of postcodes is available on the Rheem website (www.rheem.com.au) indicating known areas where the Stainless Steel cylinder is not covered by the Rheem warranty due to the water chemistry of the area. The list is not necessarily exhaustive and there may be areas outside of these postcodes where the Stainless Steel cylinder is not covered by the Rheem warranty due to the water chemistry of the area. Speak with your Rheem Solar Specialist.

Speak with your Rheem Solar Specialist as to which model water heater is most suited for your area.

HOW MUCH ENERGY WILL I SAVE WITH MY SOLAR OR HEAT PUMP WATER HEATER

The energy savings achieved from installing a Rheem solar or heat pump water heater will vary depending upon several factors. These include your location, type of Rheem system installed, orientation and inclination of the solar collectors,

type of water heater being replaced and your hot water consumption. Financial savings will depend on your fuel tariff of the water heater being replaced and the solar or heat pump water heater installed with maximum financial savings off your hot water bill being achievable when replacing an electric water heater on continuous tariff.

Energy savings figures published are based on Australian Government approved TRNSYS computer simulation modelling of the solar and heat pump water heater model, using a medium load in climate Zone 3 and apply when replacing an electric water heater. A medium load represents the average hot water consumption of an average size family. The geographical area of Zone 3 is shown on the Zone map on page 3.

SMALL-SCALE TECHNOLOGY CERTIFICATES

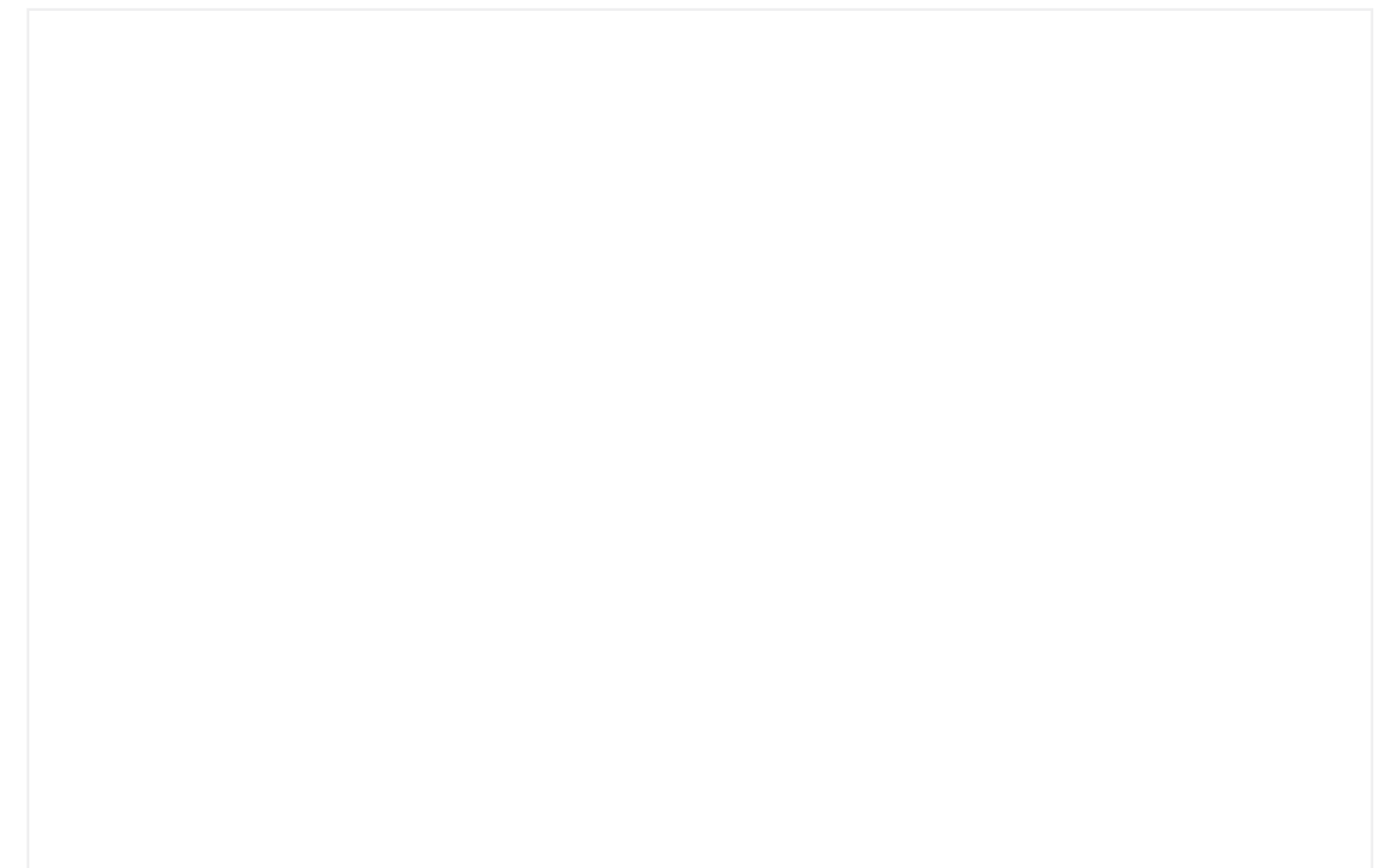
Small-scale Technology Certificates (STCs) provide a financial benefit to encourage the installation of solar water heaters provided under a Federal Government legislated scheme. STCs can be created for eligible solar water heaters and heat pump installations. One STC is equivalent to one megawatt hour (MWh) of electricity displaced by an eligible system, over a ten-year period.

To find out more about eligibility criteria visit www.rheem.com.au/rheem/help/offers-and-incentives/stcs

www.solar.rheem.com.au

FOR A FREE IN-HOME CONSULTATION CALL YOUR NEAREST RHEEM SOLAR SPECIALIST ON 1300 786 747

Your local Rheem Solar Specialist:



Rheem Australia Pty Ltd.
 1 Alan Street, Rydalmere, NSW 2116, Australia
 Australia PO Box 7508, Silverwater, NSW 2128, Australia
www.rheem.com.au

® Registered trademark of Rheem Australia Pty Ltd.
 ® COLORBOND and ZINCALUME are registered trademarks of BlueScope Steel Limited





Rheem Australia Pty Ltd

Head Office

1 Alan Street
Rydalmere NSW 2116
Australia

Postal

PO Box 7508
Silverwater NSW 2128
Australia

National Sales Phone: 132 552

National Service Phone: 131 031

www.rheem.com.au

© Registered Trademark of Rheem Australia Pty Ltd
TM Trademark of Rheem Australia Pty Ltd

ABN 21 098 823 511