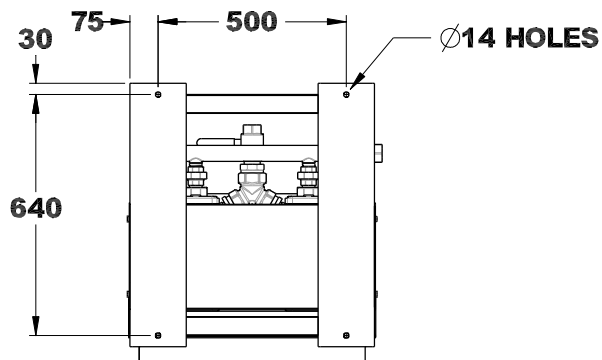
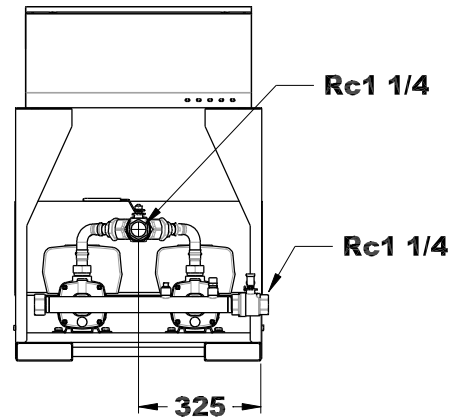
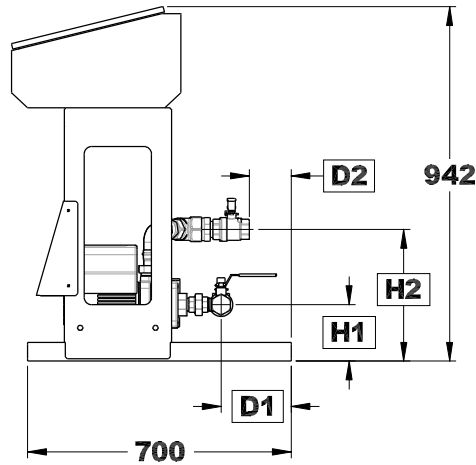
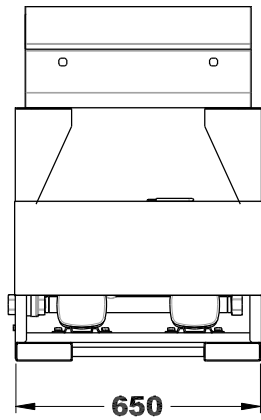
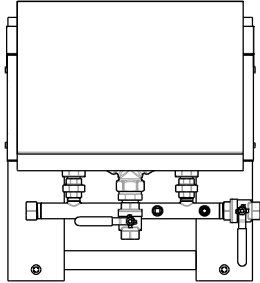


PUMP MODEL	DIM. 'D1'	DIM. 'H1'	DIM. 'D2'	DIM. 'H2'
CME 1-3 CI	186	150	111	350
CME 1-5 CI	153	150	114	350
CME 3-3 CI	184	150	113	350
CME 3-5 CI	155	150	115	350
CME 3-7 SS	73	165	32	380
CME 5-5 CI	104	165	46	400
CME 5-7 SS	63	178	23	380



PUMP SKID DIMENSIONS

ALL DIMENSIONS SHOWN ARE ±10mm.