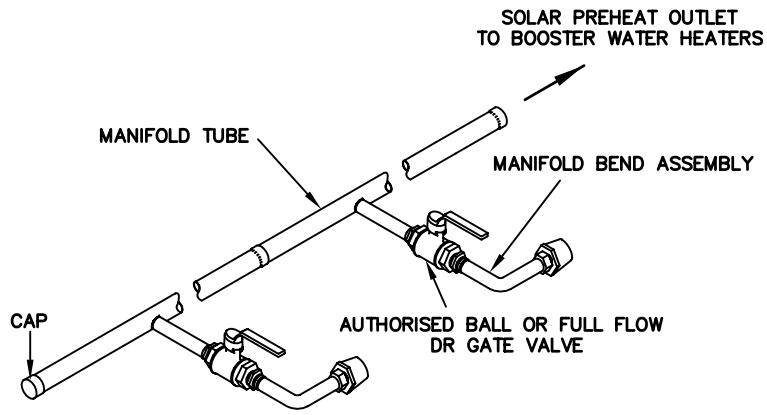
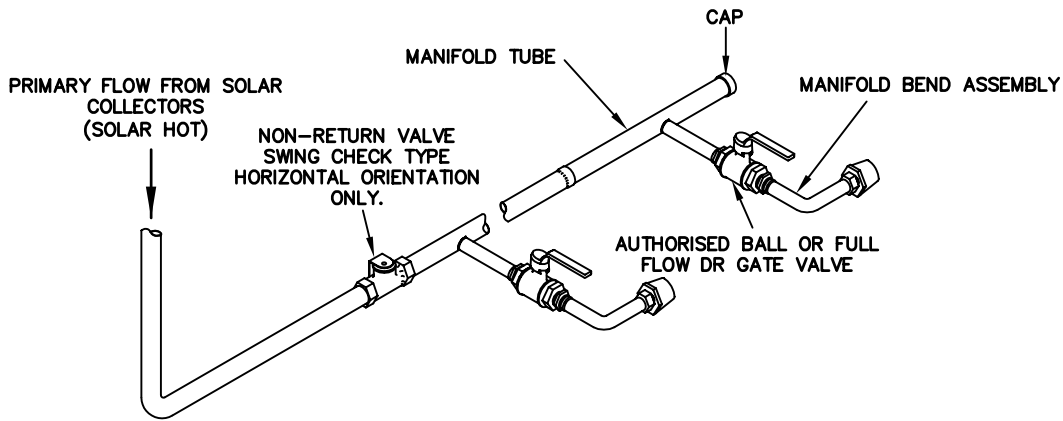


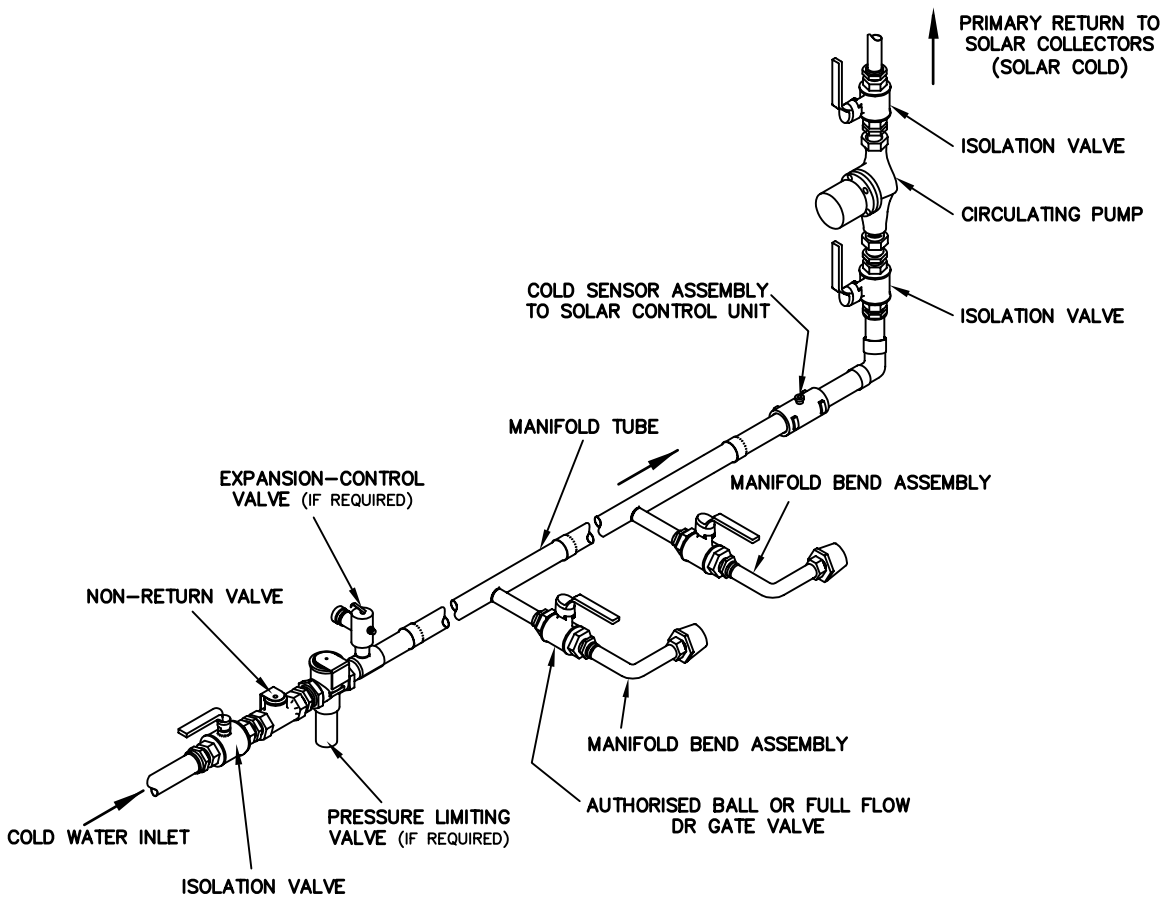
MANIFOLD ARRANGEMENT:



HOT HEADER ASSEMBLY



SOLAR HEADER ASSEMBLY



COLD HEADER ASSEMBLY

**Solar Commercial Loline Storage Tanks
Manifold Details**